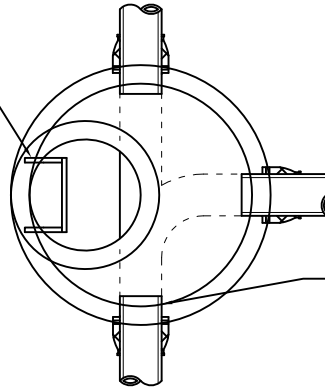


PLASTIC MANHOLE STEPS 1'-4" D.C.
M.A. INDUSTRIES CAT. NO. M.A. PS IPF
OR APPROVED EQUAL.

THE WORDS "SANITARY", OR THE
APPLICABLE CITY/VILLAGE NAME
SHALL BE CAST IN LID.

CAST IRON MANHOLE FRAME AND
SOLID LID, LID WITH CONSEALED
PICKHOLE AND WATERTIGHT GASKET
NEENAH F.D.Y. CO. CAT. # R-1712-B,
E. JORDAN IRON WORKS CO. CAT. #
1051-3 (EXTRA HEAVY DUTY COVER)
OR APPROVED EQUAL IN PAVED AREAS
IN OTHER AREAS USE R-1772-B
(NEENAH), 1022-1 (MED. COVER)
(E. JORDAN), IN NON-PAVED AREAS
SET FRAME IN BUTYL ROPE.

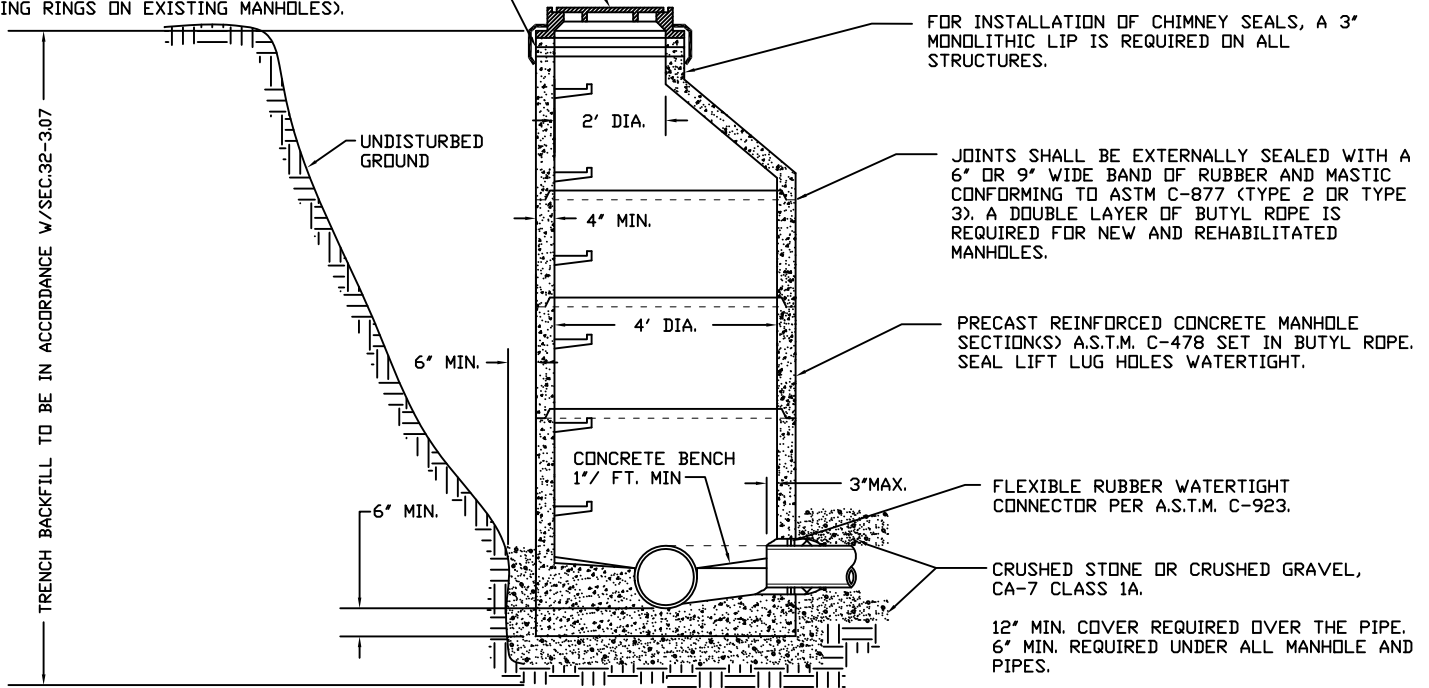


THE SPACE BETWEEN ALL PIPES AND THE
WALL OF THE MANHOLE TO BE COMPLETELY
FILLED WITH NON-SHRINKING GROUT.

8" MAX. (2 RINGS TOTAL) PRECAST CONCRETE
ADJUSTING RINGS SET IN BUTYL ROPE.

ADAPTOR-SEAL, INFI-SHIELD, CANUSA (WRAPID
SEAL) OR APPROVED EQUAL CHIMNEY SEALS ARE
REQUIRED FOR ALL FRAMES AND ADJUSTING RINGS.

(THESE REQUIREMENTS APPLY TO NEW OR
EXISTING/EXPOSED MANHOLES. A BARREL SECTION
SHALL BE ADDED TO ELIMINATE TOO MANY
ADJUSTING RINGS ON EXISTING MANHOLES).



FOR INSTALLATION OF CHIMNEY SEALS, A 3'
MONOLITHIC LIP IS REQUIRED ON ALL
STRUCTURES.

JOINTS SHALL BE EXTERNALLY SEALED WITH A
6" OR 9" WIDE BAND OF RUBBER AND MASTIC
CONFORMING TO ASTM C-877 (TYPE 2 OR TYPE
3). A DOUBLE LAYER OF BUTYL ROPE IS
REQUIRED FOR NEW AND REHABILITATED
MANHOLES.

PRECAST REINFORCED CONCRETE MANHOLE
SECTIONS) A.S.T.M. C-478 SET IN BUTYL ROPE.
SEAL LIFT LUG HOLES WATERTIGHT.

FLEXIBLE RUBBER WATERTIGHT
CONNECTOR PER A.S.T.M. C-923.

CRUSHED STONE OR CRUSHED GRAVEL,
CA-7 CLASS 1A.

12" MIN. COVER REQUIRED OVER THE PIPE.
6" MIN. REQUIRED UNDER ALL MANHOLE AND
PIPES.

NOTE

INVERTS OF INCOMING PIPE(S) SHALL BE DETERMINED BY
MATCHING ELEVATIONS OF THE TOPS OF THE NEW AND
OUTGOING PIPES. HOWEVER, FOR SEWERS 18" OR LARGER, SEE
APPROVED PLANS FOR INFORMATION ON INVERTS. ALL FLOW
CHANNELS SHALL BE PRECAST INTO THE BENCH OR CORED.

TYPE " A " MANHOLE

Fox Metro
Water Reclamation District

DESIGNED	FMWRD	REVISION	2017
DRAWN	KZ	E	Chimney Seal Note 03/19/07
APPROVED	KZ, MF	F	Note Revisions 04/29/08
DATE	05-12-00	G	"NOTE" Revision-Invert Elev's 05/10/12
SCALE	NTS	H	Misc. Note Revisions 03/09/17
SHEET	1	CAD DWG.	REVISION
OF	1	JOB NO.	H