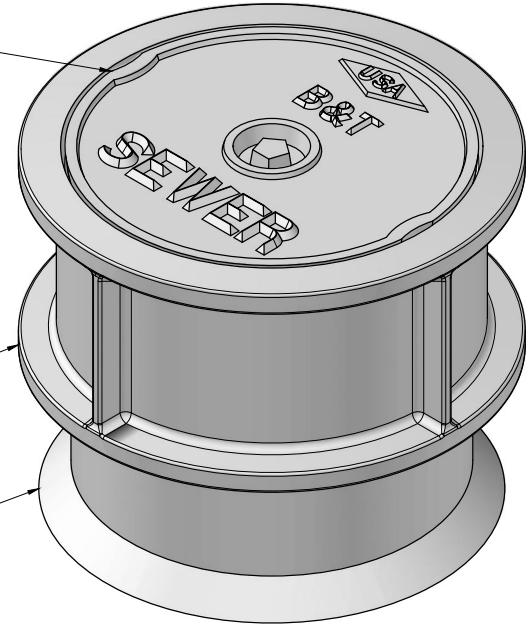
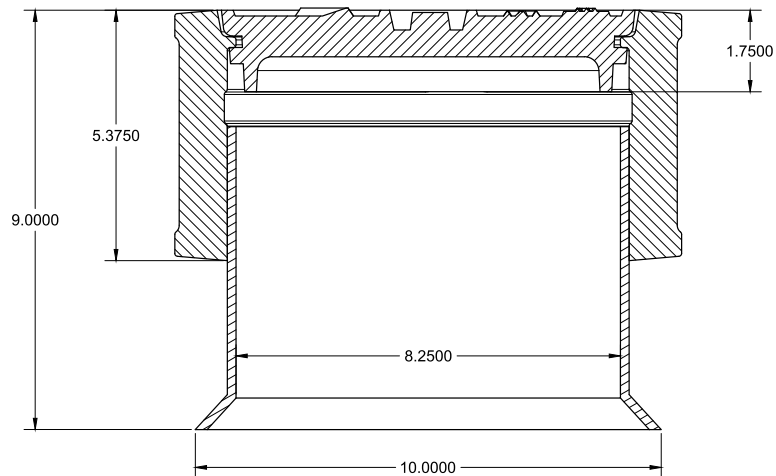


CUL8L888DTS  
 888 STYLE CLEANOUT - COVER ONLY  
 DROP TURN LOCKING BLACK - "SEWER"




CUL8R888  
 888 RIM, DROP TURN

P8T6B  
 8in TOP FLANGED FOR 888



NOTES- ALL EDGES HAVE A 1/16 RADIUS  
 TOLERANCE  $\pm .0625$

REV.	DATE	COMMENT
A		RELEASED

 <b>Bingham &amp; Taylor</b> <small>Est. 1949</small>		BINGHAM & TAYLOR	
		<b>IFL888DTS</b>	
P 888 TOP SECTION 9IN SEWER LID BLK		<small>DRAWN BY:</small> <b>J.Klopp</b> <small>DATE:</small> <b>08/04/17</b>	
		<small>WEIGHT:</small> <b>51.9 lbs</b>	
<small>APPROVED BY:</small> <b>D.Clark</b>		<small>DATE:</small> <b>04/05/18</b>	
<small>APPROVED BY:</small>		<small>DATE:</small>	