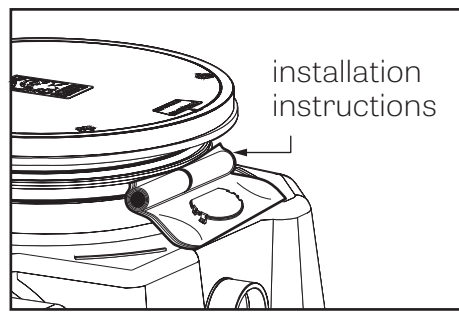


SPECIAL PRECAUTIONS

Failure to follow this guidance voids your warranty

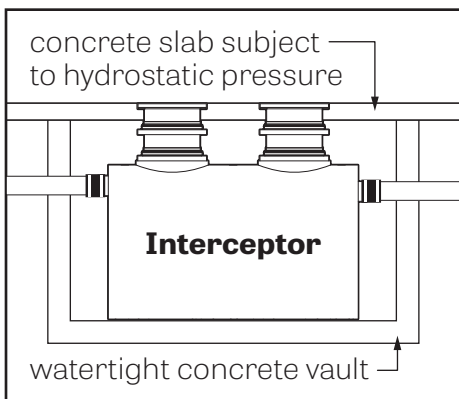
Installation Instructions

Installation instructions and additional components are included with the interceptor. Read all instructions prior to installation. This interceptor is intended to be installed by a licensed plumber in conformance with all local codes.



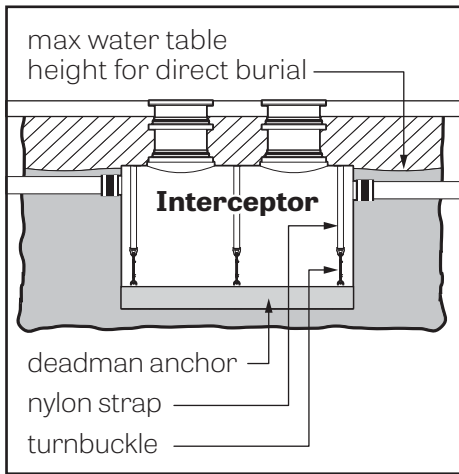
Hydrostatic Slabs (or Pressure Slabs)

When installed under a hydrostatic slab (slab designed to withstand upward lift, usually caused by hydrostatic pressure) interceptor must be enclosed in a watertight concrete vault.



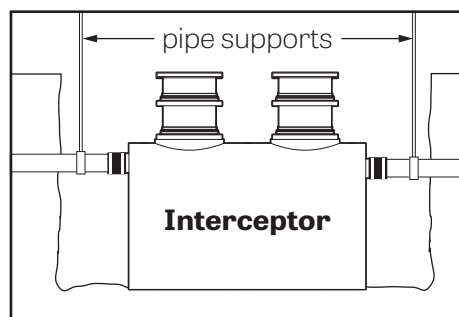
High Water Table Installations

Interceptors and risers are not designed to withstand water table height in excess of the top of the unit when buried (see figure). If it is possible for this to occur, install the interceptor and risers in a water-tight concrete vault or backfill with concrete or flowable fill (wet concrete and flowable backfill should be poured in stages to avoid crushing the interceptor). At risk areas include but are not limited to tidal surge areas, floodplains and areas that receive storm water. GB-1000 models that are direct buried in high water table scenarios must be installed with deadman anchors secured by nylon strapping and corrosion resistant turnbuckles.



Support Inlet and Outlet Piping

Ensure heavy inlet and outlet piping (such as cast iron or long runs) is properly supported or suspended during the entire installation process to prevent connection failure or damage to bulkhead fittings.



SPECIFICATIONS

- 6" plain end inlet/outlet
- Capacities - Liquid: 1,010 gal.
@100 GPM - Grease: 6,547 lbs.
Solids - 103 gal.
- Unit weight w/std. covers: 1,516 lbs.
- H2O load rated, pickable cast iron covers. (16,000 lbs.)
- Maximum operating temperature: 140° F continuous

NOTES:

- Listed by IAPMO to ASME #A112.14.3 and CSA B481.1.
- Unit designed per UPC Z1001 construction guidelines. Do not use for pressure applications.
- 3/4" thick seamless high density polyethylene walls.
- Unit supplied with built-in adapters for up to 6" of adjustability. Additional risers available for deeper burial depth.
- Cover placement allows full access to tank for proper maintenance.
- Vent not required unless per local code.
- Engineered inlet and outlet diffusers for ease of inspection and cleaning of piping.
- For buried applications only.
- Integral air relief / anti-siphon

DIFFUSION FLOW TECHNOLOGY: The inlet diffuser splits influent into three paths, creating laminar flow and utilizing the entire liquid volume of the tank for efficient grease separation. The calibrated openings greatly reduce effluent turbulence. The effluent enters the main chamber without disturbing the existing grease or sediment layers. The integral air relief / anti-siphon in the top of the outlet diffuser allows pressure stabilization within the unit during operation. The bottom of the outlet diffuser allows

only effluent which is free of grease to exit the tank.

ENGINEER SPECIFICATION GUIDE

Schier Great Basin™ grease interceptor model # GB-1000 shall be lifetime guaranteed and made in USA of seamless, molded polyethylene with minimum 3/4" uniform wall thickness. Interceptor shall be furnished for below grade installation with field adjustable riser system. Interceptor flow rate shall be 100 GPM. Interceptor grease capacity shall be 6,547 lbs. Cover shall provide water/gas-tight seal and have minimum 16,000 lbs. load capacity.

CERTIFIED PERFORMANCE

Great Basin™ hydromechanical grease interceptors are third party performance-tested and listed by IAPMO to ASME #A112.14.3 and CSA B481.1 grease interceptor standards and greatly exceed requirements for grease separation and storage. They are compliant to the Uniform Plumbing Code and the International Plumbing Code.

OPTIONS:

- C24H - highway load rated bolted composite covers.
- 6M 6" male thread (stainless steel) connections
- 4P 4" plain end SCH.40 connections
- 4M 4" male thread connections

Field Cut Riser System

- SR24 (x2) 5" - 23"
- LR24 (x2) >23" - 38"
- SR24 (x4) >38" - 43"
- SR24 (x2) + LR24 (x2) >43" - 58"
- LR24 (x4) >58" - 72"

INSTALLATION INSTRUCTIONS

WARNING! DO NOT AIR TEST UNIT OR FIELD CUT RISER SYSTEM! DOING SO MAY RESULT IN PROPERTY DAMAGE, PERSONAL INJURY OR DEATH. BELOW GRADE INSTALLATION ONLY! DO NOT INSTALL ABOVE GRADE!

LEAK/SEAL TESTING

Cap/plug all base unit plumbing connections and remove covers. **For base unit testing,** fill with water to just above the highest connection. **For riser system testing** (if required) fill with water to finished grade level. **CAUTION: Risers must be supported before filling with water to prevent tipping.** Inspect unit, connections and all gaskets and clamps (if applicable) for leaks. Check water level at specific time intervals per local code. **NOTE: All GB series tanks have been wet tested for leaks prior to shipment from the factory.**

EXCAVATION

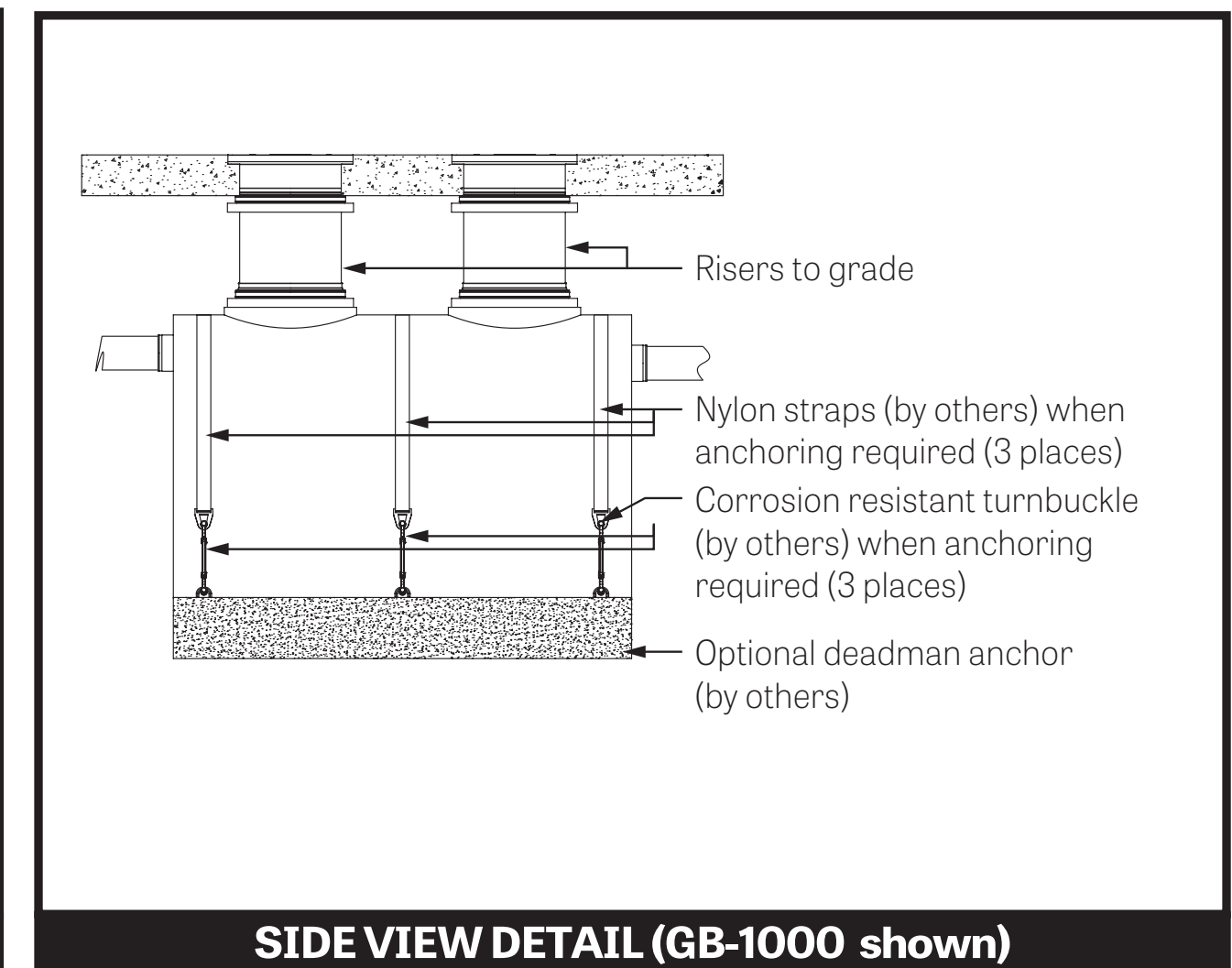
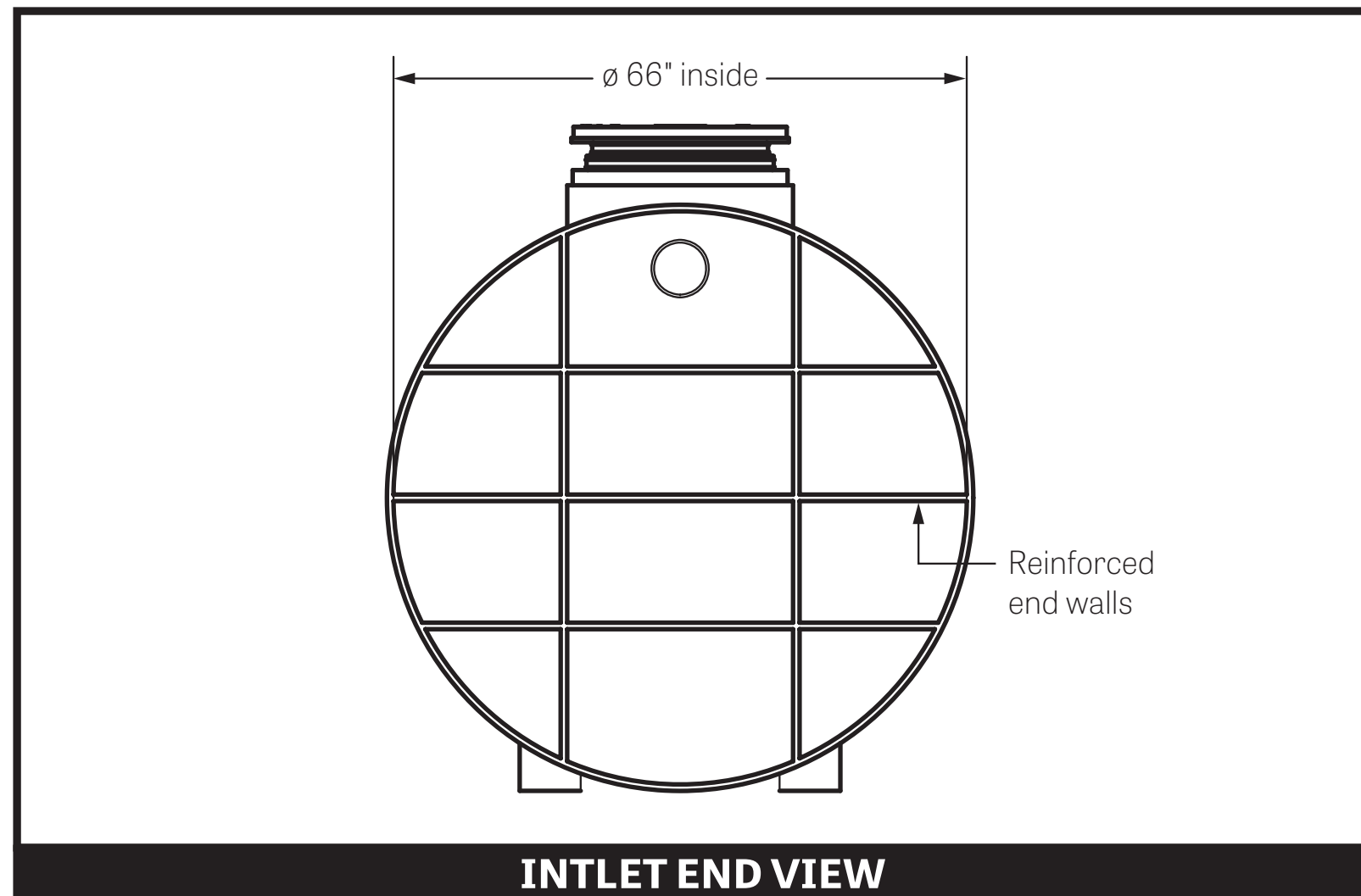
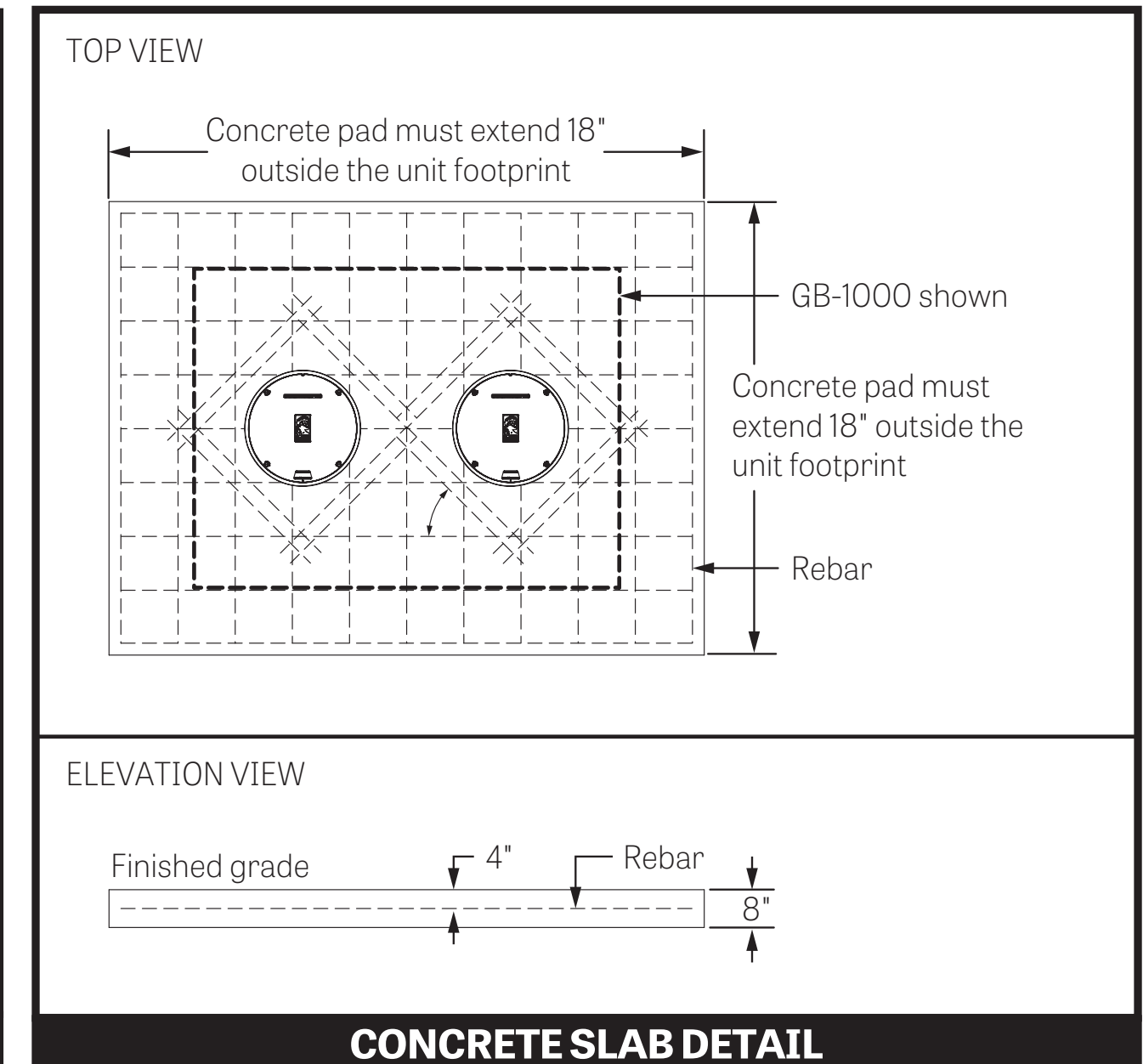
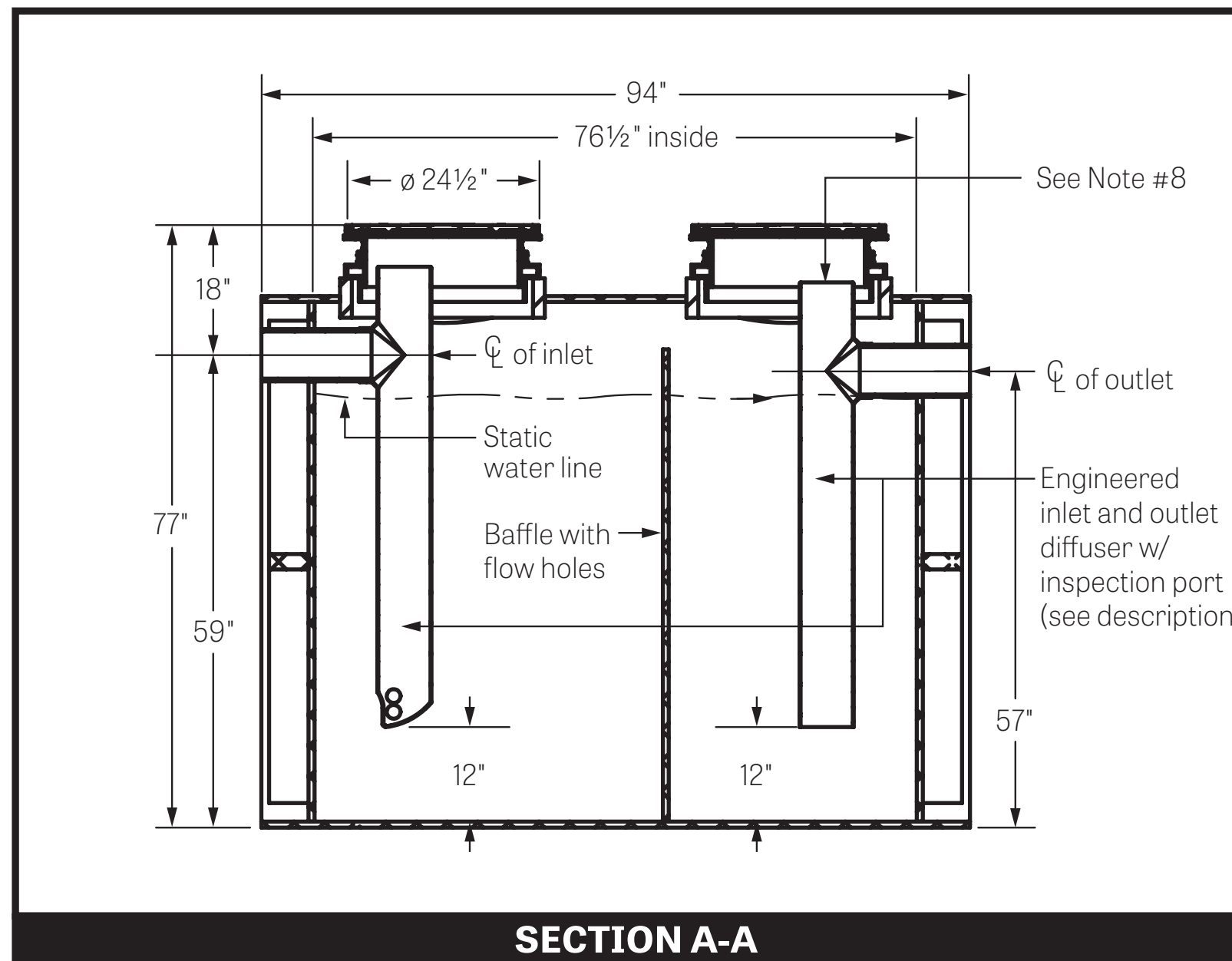
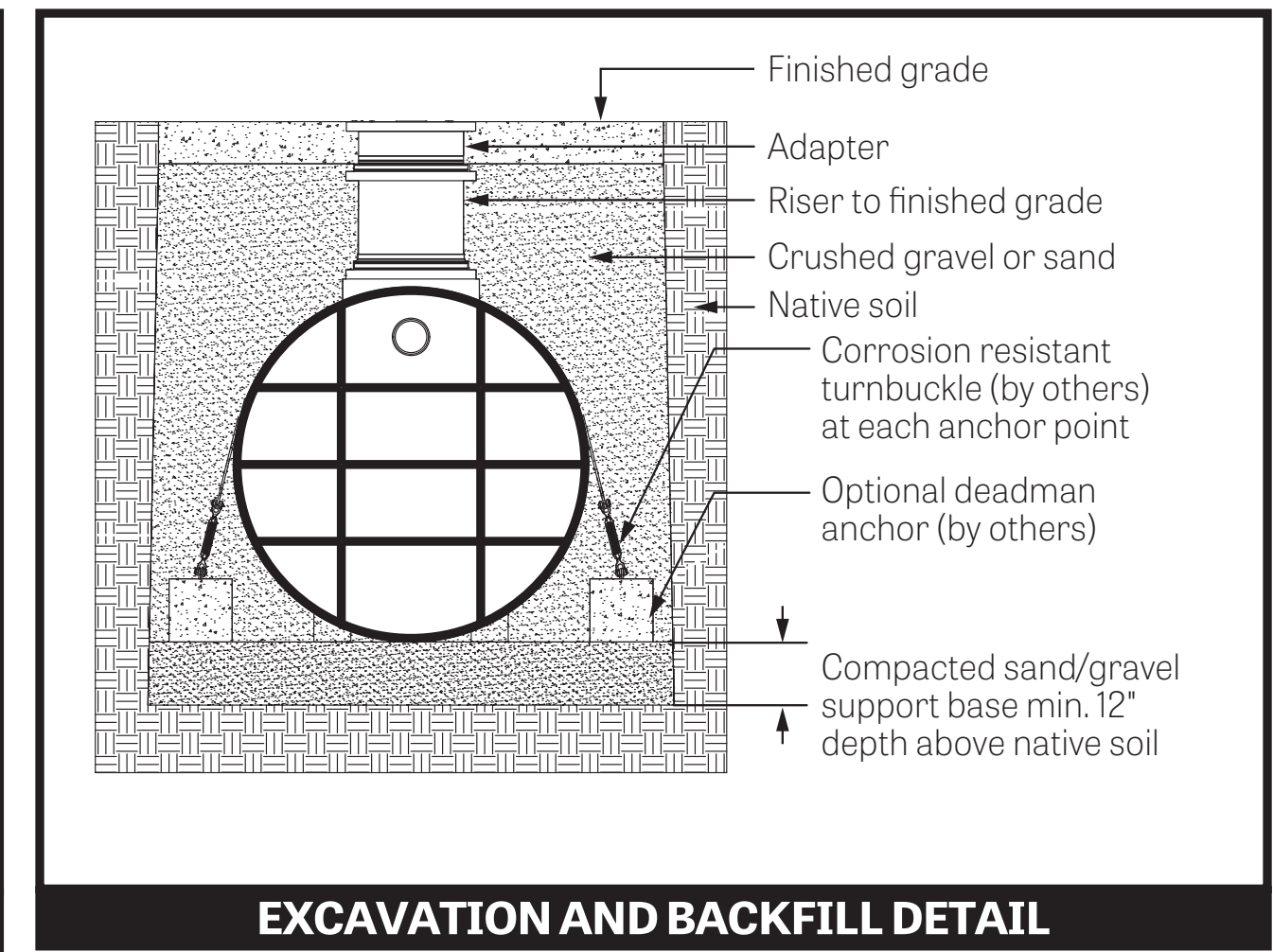
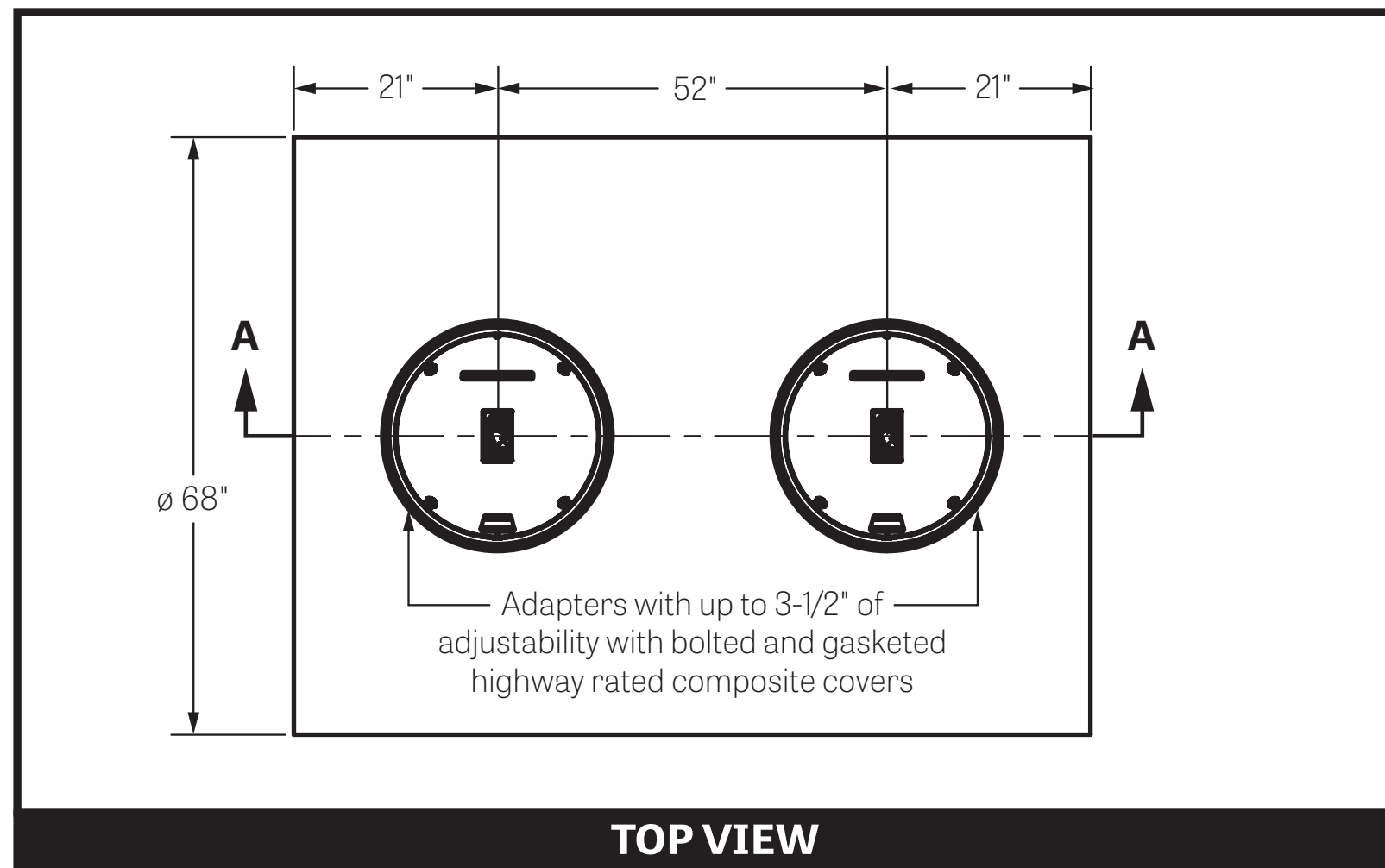
- Install unit as close as possible to fixtures being served.
- Surrounding soil must be undisturbed soil or well compacted engineering fill.
- Width and length of excavation shall be a minimum of 18" greater than the tank on all sides and depth shall be 12" deeper than tank bottom.
- Set the tank level on a 12" deep layer of well-packed crushed aggregate material and connect waste piping per General Installation Instructions.

INSTALLATION

Schier grease interceptors are manufactured with an internal flow control system. They do not require an external flow control system or air intake vent. Schier grease interceptors are not to be installed in any other manner except as shown. Consult local codes for separate trapping requirements, cleanout locations and additional installation instructions.

- The **flow control plate is not pre-installed** on this unit and is provided in a bag fastened to the neck of the unit. When the unit is installed 13 feet or more below the fixtures being served, or a high flow/increased head pressure condition exists (causing a flow rate above 100 GPM), install the inlet diffuser flow control plate to maintain proper flow rate.
- Lower and center the unit into hole using straps around unit. Do not use chains or accessways to move the unit. Ensure the unit tops are level with finished grade.
- Connect inlet and outlet drainage lines to unit. Mechanically couple pipes to unit. **Do not solvent weld.**
- Secure covers and risers (if necessary) to the unit. For unit with cast iron covers, remove retainer clips prior to burial.

NOTE: Do not install below a hydrostatic slab.



9500 Woodend Road
Edwardsville, KS 66111
Tel: 913-951-3300
Fax: 913-951-3399
www.schierproducts.com

MODEL NUMBER:
GB-1000-FM6

PART #: 4080-002-01

DESCRIPTION: 100 GPM Polyethylene Grease Interceptor - 1,010 gallon capacity

DWG BY: B. Karrer

DATE: 8/31/2018

REV: 1 ECO: