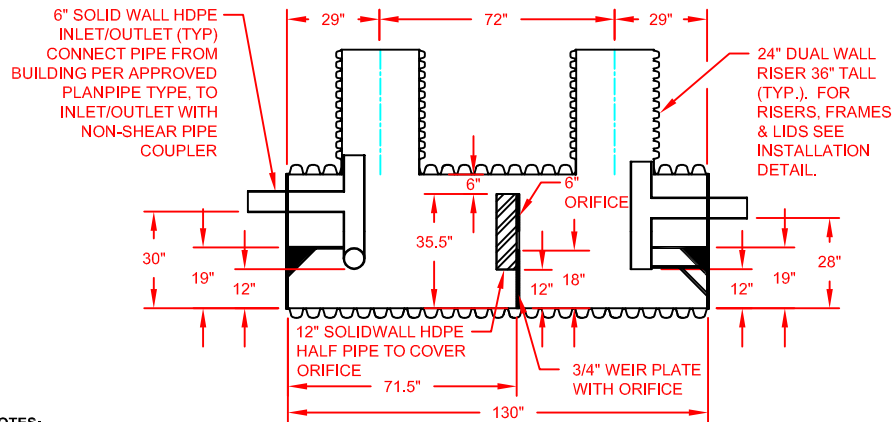


42" DIAMETER - 500 GALLON GREASE INTERCEPTOR

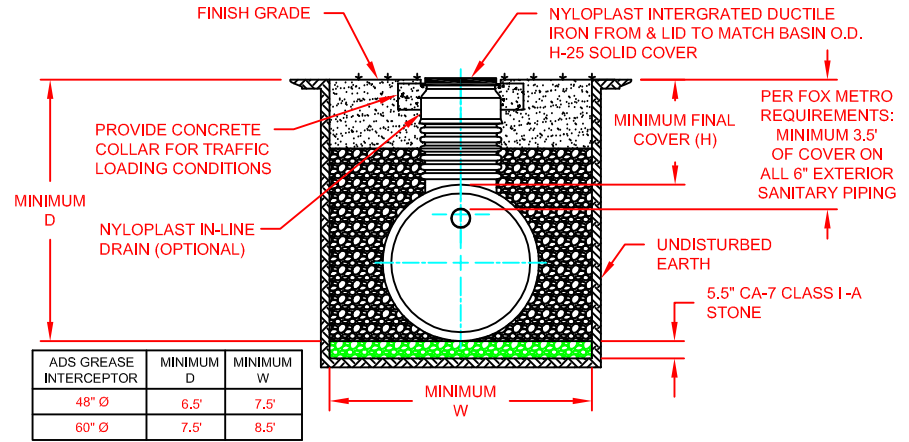


NOTES:

- FOR GRAVITY FLOW APPLICATIONS ONLY.
- ALL ADS GREASE INTERCEPTOR UNITS ARE TO BE INSTALLED PER THE MANUFACTURERS' INSTALLATION INSTRUCTIONS
- MANUFACTURER'S INSTALLATION INSTRUCTIONS PROVIDE AN H-25 TRAFFIC RATING. CONTACT MANUFACTURER'S REPRESENTATIVE FOR OTHER LOADING CONDITIONS.
- INLETS AND OUTLETS SHALL BE EITHER 4" OR 6". REFER TO THE APPROVED PLANS FOR THE SIZING OF THE DOWNSTREAM SEWER SERVICE (4" OR 6"). CONTACT MANUFACTURER'S REPRESENTATIVE FOR CUSTOM APPLICATIONS.
- PER FOX METRO REQUIREMENTS A MINIMUM OF 3.5' OF COVER AND A MINIMUM OF 1.00% SLOPE IS REQUIRED FOR ALL EXTERIOR SANITARY PIPING
- ADDITIONAL PIPE CAN BE ORDERED TO EXTEND RISERS, WHICH CAN BE FIELD CUT TO FINAL GRADE IN FIELD.
- INLINE DRAINS SHOWN ON INSTALLATION INSTRUCTIONS WILL PROVIDE H-25 TRAFFIC RATING WHEN INSTALLED WITH AN H-25 TRAFFIC RATED LOAD BEARING CONCRETE COLLAR. SEE INSTALLATION INSTRUCTIONS.
- CUSTOM SIZES AVAILABLE. CONTACT LOCAL ADS REPRESENTATIVE.
- PROUDLY MADE IN MENDOTA, ILLINOIS.
- CONTACT CUSTOMER SERVICE AT 1-800-733-4110 FOR PRICING AND DELIVERY INFORMATION.
- NO VENTS ARE REQUIRED TO BE INSTALLED IN FOX METRO'S SERVICE AREA.

NOTES:

- PLEASE FOLLOW THE INSTALLATION GUIDELINES AS FOUND IN THE INSTALLATION SECTION OF THE ADS DRAINAGE HANDBOOK, AND ASTM D 2321.
- AVOID EXCESSIVE GROUND WATER IN THE TRENCH, DE-WATER AS NECESSARY. APPROPRIATE MEASURES SHALL BE TAKEN TO PREVENT MIGRATION OF FINES, SEE ASTM D2321.
- PROVIDE SHEETING OR SHORING AS REQUIRED.
- UTILIZE CARE WHEN LOWERING UNIT INTO THE TRENCH. HANDLE USING NYLON SLINGS AND TWO PICK POINTS. DO NOT USE SLING AROUND RISERS.
- PLACE CA-7 CLASS I - A STONE BACKFILL AROUND THE UNIT IN UNIFORM 8"-12" LIFTS, AND COMPACTED TO 90% SPD. CONTINUE BACKFILL WITH AASHTO NO. 57 OR NO. 8 STONE TO 12" ABOVE GREASE INTERCEPTOR.
- FILL UNIT WITH WATER TO THE INVERT OF THE OUTLET PIPE ONCE BACKFILL IS PLACED AND COMPACTED 12" ABOVE THE UNIT.
- FOR NON-TRAFFIC LOADING: H = 12" COVER FOR ALL UNITS MEASURED FROM THE TOP OF THE PIPE TO GROUND SURFACE. FOR TRAFFIC LOADING CONDITIONS: H = 24" COVER FOR ALL UNITS MEASURED FROM THE TOP OF THE PIPE TO THE BOTTOM OF BITUMINOUS PAVEMENT OR TOP OF RIGID PAVEMENT. FOR TRAFFIC LOADING ALL INSPECTION RISERS SHALL HAVE A TRAFFIC RATED FRAME AND LID WITH A TRAFFIC RATED LOAD BEARING CONCRETE COLLAR. MAXIMUM COVER HEIGHT MEASURED FROM THE TOP OF THE UNIT TO FINAL GRADE SHALL NOT EXCEED 8 FEET.
- ALL RISER EXTENSIONS TO GRADE SHOULD BE COORDINATED THROUGH YOUR LOCAL ADS REPRESENTATIVE.

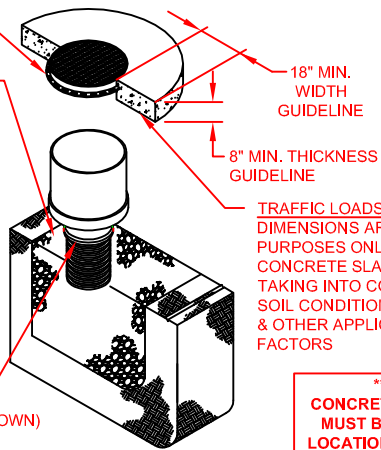


INTERGRADED DUCTILE IRON FRAME & GRATE WITH ASKET TO PREVENT INFILTRATION

BACKFILL MATERIAL BELOW & TO SIDE OF STRUCTURE SHALL BE ASTM D2321 CLASS I OR II CRUSHED STONE & BE PLACED UNIFORMLY IN 12" LIFTS & COMPACTED

GASKET (INCLUDED) TO BE INSTALLED ON RISER BY CONTRACTOR TO PREVENT GROUNDWATER INFILTRATION

WATERTIGHT JOINT (CORRUGATED HDPE SHOWN)



TRAFFIC LOADS: CONCRETE SLAB DIMENSIONS ARE FOR GUIDELINE PURPOSES ONLY. ACTUAL CONCRETE SLAB MUST BE DESIGNED TAKING INTO CONSIDERATION LOCAL SOIL CONDITIONS, TRAFFIC LOADING & OTHER APPLICABLE DESIGN FACTORS

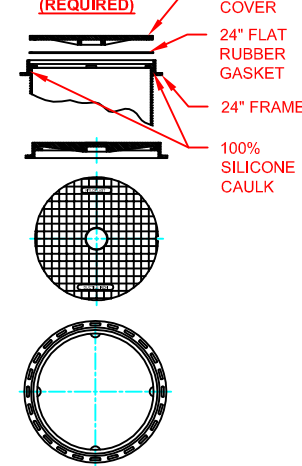
*****NOTE***
CONCRETE TRAFFIC RING MUST BE INSTALLED IN LOCATIONS WITH TRAFFIC LOADING**

NOTES:

- GRATES/SOLID COVERS SHALL BE DUCTILE IRON PER ASTM A536 GRADE 70-50-05.
- FRAMES SHALL BE DUCTILE IRON PER ASTM A536 GRADE 70-50-05
- DRAINAGE CONNECTION STUB JOINT TIGHTNESS SHALL CONFORM TO ASTM D3212 FOR CORRUGATED HDPE (ADS & HANCOR DUAL WALL) & SDR 35 PVC.
- FOR COMPLETE DESIGN AND PRODUCT INFORMATION: WWW.NYLOPLAST-US.COM.
- TO ORDER CALL: 800-821-6710

© 2007 ADS, INC.

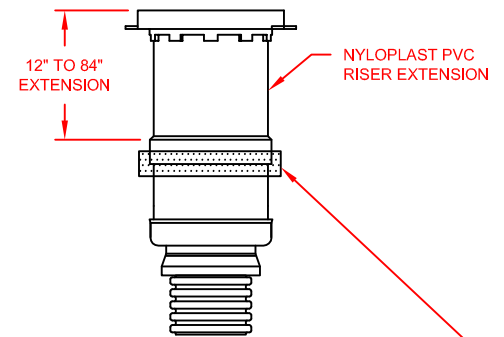
SOLID FRAME (REQUIRED)



COVER HAS H-25 HEAVY DUTY RATING QUALITY: MATERIALS SHALL CONFORM TO ASTM 536 GRADE 70-50-05.

PAINT: CASTINGS ARE FURNISHED WITH A BLACK PAINT LOCKING DEVICE AVAILABLE UPON REQUEST SEE DRAWING NO. 7001-110-025

RISER EXTENSION
TYPICALLY REQUIRED WHEN DISTANCE FROM FINISHED GRADE TO INVERT OF SEWER LATERAL IS GREATER THAN 4 FEET



THE RISER SECTION JOINT SHALL ALSO BE EXTERNALLY SEALED WITH A *6" OR *9" WIDE (MIN.) SEALING BAND OF RUBBER AND MASTIC. THE BAND SHALL HAVE AN OUTER LAYER OF RUBBER OR POLYETHYLENE WITH AN UNDER LAYER OF RUBBERIZED MASTIC (WITH A PROTECTIVE FILM), MEETING THE REQUIREMENTS OF ASTM C-87 **TYPE II OR *TYPE III.

7	REVISED GENERAL NOTES	TJR	8/25/14	
REV.	DESCRIPTION	BY	MM/DD/YY	CHK'D

ADVANCED DRAINAGE SYSTEMS, INC. ("ADS") HAS PREPARED THIS DETAIL BASED ON INFORMATION PROVIDED TO ADS. THIS DRAWING IS INTENDED TO DEPICT THE COMPONENTS AS REQUESTED. ADS HAS NOT PERFORMED ANY ENGINEERING OR DESIGN SERVICES FOR THIS PROJECT, NOR HAS ADS INDEPENDENTLY VERIFIED THE INFORMATION SUPPLIED. THE INSTALLATION DETAILS PROVIDED HEREIN ARE GENERAL RECOMMENDATIONS AND ARE NOT SPECIFIC FOR THIS PROJECT. THE DESIGN ENGINEER SHALL REVIEW THESE DETAILS PRIOR TO CONSTRUCTION. IT IS THE DESIGN ENGINEER'S RESPONSIBILITY TO ENSURE THE DETAILS PROVIDED HEREIN MEETS OR EXCEEDS THE APPLICABLE NATIONAL, STATE, OR LOCAL REQUIREMENTS AND TO ENSURE THAT THE DETAILS PROVIDED HEREIN ARE ACCEPTABLE FOR THIS PROJECT.

**500 GAL GREASE INTERCEPTOR
FOX METRO, IL**

DRAWING NUMBER:



4640 TRUEMAN BLVD
HILLIARD, OHIO 43026

ADVANCED DRAINAGE SYSTEMS, INC.

DRAWN BY:	CKS
DATE:	08/13/08
CHK'D BY:	
SCALE:	NTS
SHEET:	1 OF 1