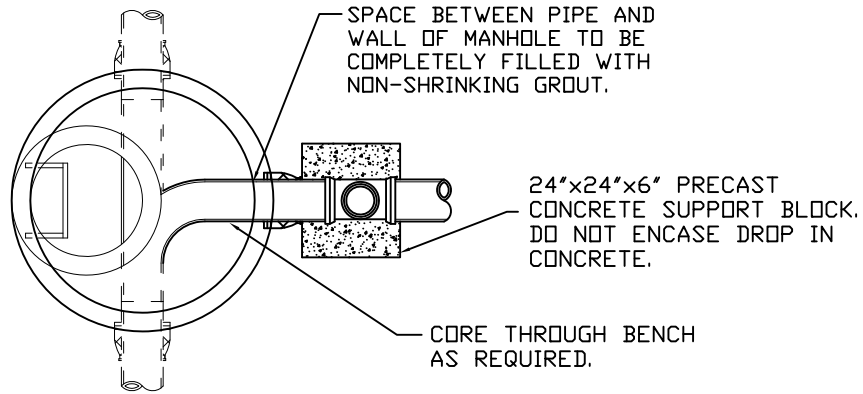
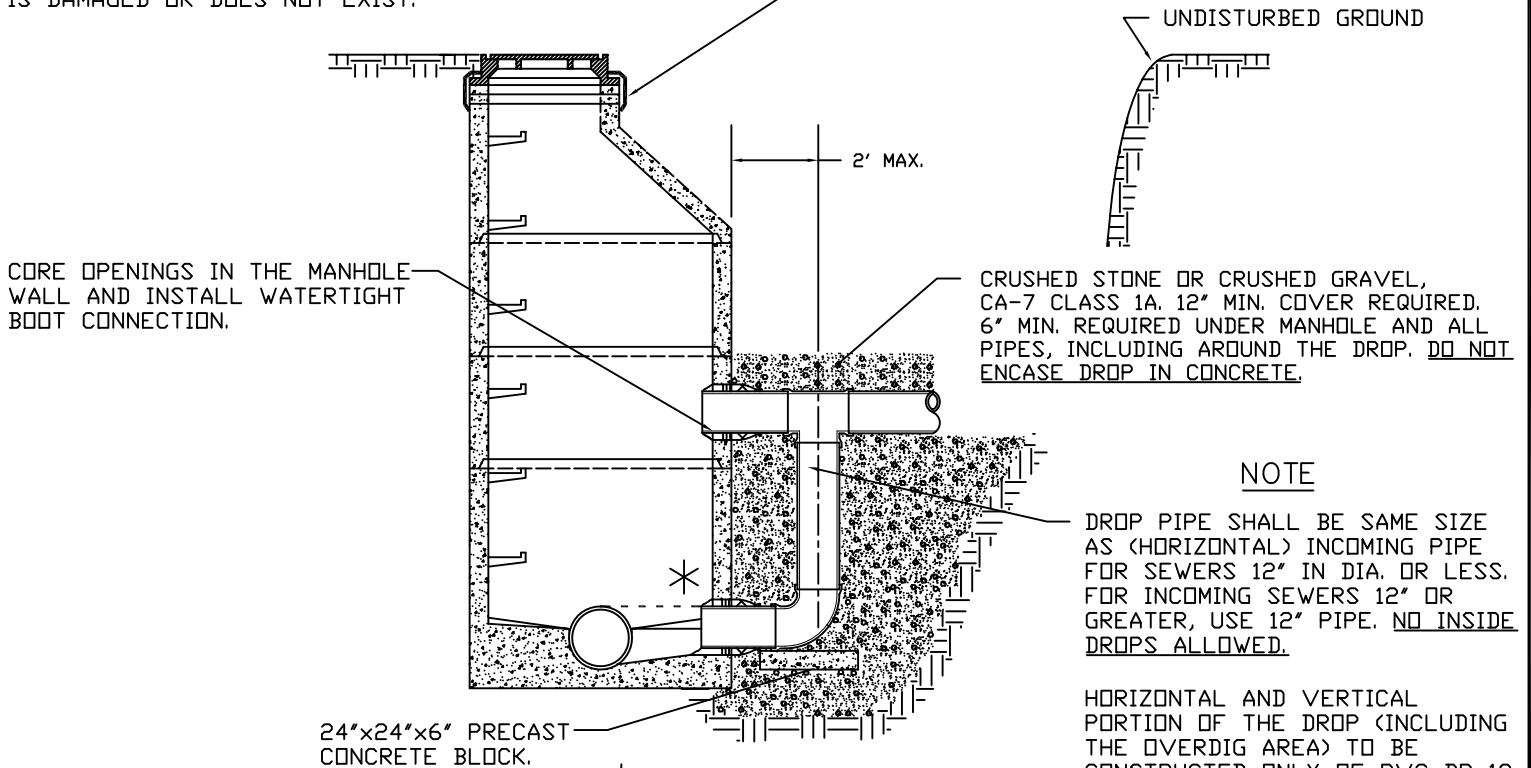


ANY MANHOLE, WHICH HAS BEEN DISTURBED IN ANY WAY, INCLUDING BEING RAISED OR LOWERED, SHOULD BE CLEANED AND DRIED BEFORE RE-SEALING. EACH JOINT SHALL BE SEALED WITH A DOUBLE LAYER OF BUTYL ROPE AND EXTERNALLY SEALED WITH A 6" OR 9" WIDE BAND OF RUBBER AND MASTIC CONFORMING TO ASTM C-877 TYPE 2 OR TYPE 3.



AS WITH NEWLY CONSTRUCTED MANHOLES ONLY 8" OF ADJUSTING RINGS (2 RINGS TOTAL) IS ALLOWED. ADAPTOR-SEAL, INFI-SHIELD, CANUSA (WRAPID SEAL) OR APPROVED EQUAL CHIMNEY SEALS ARE REQUIRED IF EXISTING SEAL IS DAMAGED OR DOES NOT EXIST.

APPROVED CHIMNEY SEAL SHALL BE ADDED WHEN DROP IS CONSTRUCTED. (SEE NOTE AT LEFT)



NOTE

DROP PIPE SHALL BE SAME SIZE AS (HORIZONTAL) INCOMING PIPE FOR SEWERS 12" IN DIA. OR LESS. FOR INCOMING SEWERS 12" OR GREATER, USE 12" PIPE. NO INSIDE DROPS ALLOWED.

HORIZONTAL AND VERTICAL PORTION OF THE DROP (INCLUDING THE OVERDIG AREA) TO BE CONSTRUCTED ONLY OF PVC DR 18. NO DUCTILE IRON PIPE ALLOWED.

*** NOTE**

INVERTS OF INCOMING PIPES SHALL BE DETERMINED BY MATCHING ELEVATIONS OF THE TOP OF ALL PIPES. FOR EXISTING SEWERS 15" OR GREATER, SEE APPROVED PLANS. A PRE-FORMED FLOW LINE SHALL BE MADE IN THE BENCH. SEE OUR "PIPE TO EXISTING MANHOLE CONNECTION" DETAIL FOR SPECIFICS.

THIS DETAIL DOES NOT APPLY TO PRIVATE SERVICE CONNECTION PROPOSALS.

DROP CONNECTION ADDED TO EXISTING MANHOLE

Fox Metro
Water Reclamation District

DESIGNED	FMWRD	REVISION	2017
DRAWN	KZ	D Drop & Chimney Seal Note	01/30/05
APPROVED	KZ, MF	E Chimney Seal Note	04/28/08
DATE	05-12-00	F Riser Note	05/09/12
SCALE	NTS	G Remove Misc. Notes	12/14/16
SHEET	1	CAD DWG.	REVISION
OF	1	JOB NO.	G