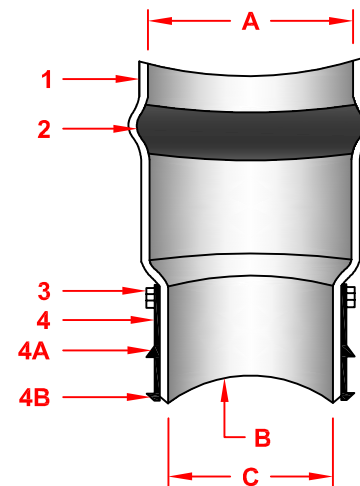


C900 GASKETED BELL DEEP BURY GRAVITY APPLICATIONS

- A.** BELL END ACCEPTS PIPE WITH C900 DR18 OR DR14 IN 4", 6", 8", 10", AND 12" SIZES.
- B.** CURVATURE VARIES WITH MAINLINE DIAMETERS.
- C.** SPIGOT END WITH A WALL THICKNESS GREATER THAN DR18.



PART	PART NAME
1	HUB ADAPTOR
2	RUBBER GASKET
3	SECURING CLAMP*
4	RUBBER SLEEVE (AVAILABLE IN NITRILE AND EPDM BY SPECIAL ORDER)
4A	UPPER SEGMENT**
4B	LOWER SEGMENT***

MATERIALS

PVC SCH 120 IN SIZES 4", 6" & 8"
 DR 14 IN 10" & 12"
 ASTM F477
 BAND SS #301
 SCREW SS #305
 HOUSING SS #301
 ASTM F477

- * OPTIONAL: #316 STAINLESS STEEL BAND, SCREW AND HOUSING
- ** DISTANCE BETWEEN 4A AND 4B WILL VARY BY PRODUCT TYPE
- *** WILL NOT APPEAR ON RUBBER SLEEVES FOR CONCRETE OR CLAY PIPE

INSERTA TEE SIZE	HOLE DIAMETER
4" (100 mm)	4 ½" (112.5 mm)
6" (150 mm)	6 ½" (162.5 mm)
8" (200 mm)	8 ¾" (218.8 mm)
10" (250 mm)	10 ⅞" (271.9 mm)
12" (300 mm)	12 ⅞" (321.8 mm)

NOTE: RECOMMENDED METHOD OF CUTTING HOLE IS WITH HOLE SAW FOR PVC AND OTHER PLASTICS, AND DIAMOND BIT FOR CONCRETES, CLAY, FRP AND D.I. (SEE INSTALLATION INSTRUCTIONS. HOLE SAWS ARE AVAILABLE FOR PURCHASE OR RENT.)



INSERTA TEE | PO BOX 714
 CORNELIUS, OR 97113
 PH: (503) 357-2110 FAX: (503) 359-5417
 SALES@INSERTATEE.COM

C900 GASKETED BELL DEEP BURY GRAVITY APPLICATION SPECIFICATIONS

SCALE: NTS
 DATE: 7/30/13
 DRAWN BY: JJC

THIS PRINT DISCLOSES SUBJECT MATTER IN WHICH INSERTA-TEE HAS PROPRIETARY RIGHTS. THE RECEIPT OR POSSESSION OF THIS PRINT DOES NOT CONFER, TRANSFER, OR LICENSE THE USE OF THE DESIGN OR TECHNICAL INFORMATION SHOWN HEREIN REPRODUCTION OF THIS PRINT OR ANY INFORMATION CONTAINED HEREIN, OR MANUFACTURE OF ANY ARTICLE HEREFROM, FOR THE DISCLOSURE TO OTHERS IS FORBIDDEN, EXCEPT BY SPECIFIC WRITTEN PERMISSION FROM INSERTA-TEE.