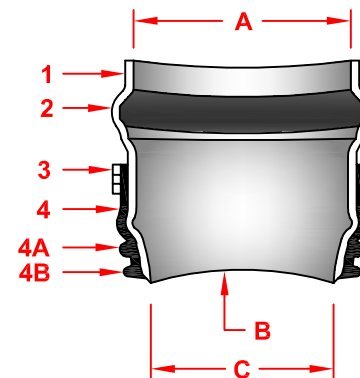


## SDR 26 HWS GASKETED BELL GRAVITY APPLICATIONS

- A.** BELL END ACCEPTS PIPE WITH SDR 26, ASTM D3034 OR EQUIVALENT O.D. SPECIFICATION IN 8", 10", 12", 15", 18", 21", 24", 27", AND 30" SIZES (FOR 4" AND 6" SIZES, REFER TO FATBOY SPECIFICATIONS)
- B.** CURVATURE VARIES WITH MAINLINE DIAMETERS.
- C.** SPIGOT END PVC SDR 26, ASTM D3034 DIAMETERS: 8", 10", 12", 15", 18", 21", 24", 27" AND 30"



PART	PART NAME
1	HUB ADAPTOR
2	RUBBER GASKET
3	SECURING CLAMP*
4	RUBBER SLEEVE (AVAILABLE IN NITRILE AND EPDM BY SPECIAL ORDER)
4A	UPPER SEGMENT**
4B	LOWER SEGMENT***

**MATERIALS**  
 PVC SDR 26 ASTM D3034  
 ASTM F477  
 BAND SS #301  
 SCREW SS #305  
 HOUSING SS #301  
 ASTM F477

\* OPTIONAL: #316 STAINLESS STEEL BAND, SCREW AND HOUSING  
 \*\* DISTANCE BETWEEN 4A AND 4B WILL VARY BY PRODUCT TYPE  
 \*\*\* WILL NOT APPEAR ON RUBBER SLEEVES FOR CONCRETE OR CLAY PIPE

INSERTA TEE SIZE	HOLE DIAMETER
8" (200 mm)	8 3/4" (222mm)
10" (250 mm)	10 7/8" (276mm)
12" (300 mm)	12 7/8" (327mm)
15" (375 mm)	15 13/16" (402mm)
18" (450 mm)	19 3/16" (503mm)
21" (525 mm)	22 9/16" (573mm)
24" (600 mm)	25 5/16" (643mm)
27" (675 mm)	28 1/2" (724mm)
30" (750 mm)	32 17/32" (826mm)

NOTE: RECOMMENDED METHOD OF CUTTING HOLE IS WITH HOLE SAW FOR PVC AND OTHER PLASTICS, AND DIAMOND BIT FOR CONCRETES, CLAY, FRP AND D.I. (SEE INSTALLATION INSTRUCTIONS. HOLE SAWS ARE AVAILABLE FOR PURCHASE OR RENT.)



INSERTA TEE | PO BOX 714  
 CORNELIUS, OR 97113  
 PH: (503) 357-2110 FAX: (503) 359-5417  
 SALES@INSERTATEE.COM

### SDR 26 HWS GASKETED BELL GRAVITY APPLICATION SPECIFICATIONS

SCALE: NTS  
 DATE: 7/30/13  
 DRAWN BY: JJC

THIS PRINT DISCLOSES SUBJECT MATTER IN WHICH INSERTA-TEE HAS PROPRIETARY RIGHTS. THE RECEIPT OR POSSESSION OF THIS PRINT DOES NOT CONFER, TRANSFER, OR LICENSE THE USE OF THE DESIGN OR TECHNICAL INFORMATION SHOWN HEREIN REPRODUCTION OF THIS PRINT OR ANY INFORMATION CONTAINED HEREIN, OR MANUFACTURE OF ANY ARTICLE HEREFROM, FOR THE DISCLOSURE TO OTHERS IS FORBIDDEN, EXCEPT BY SPECIFIC WRITTEN PERMISSION FROM INSERTA-TEE.