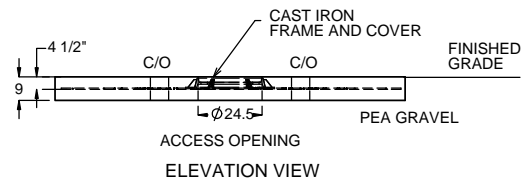
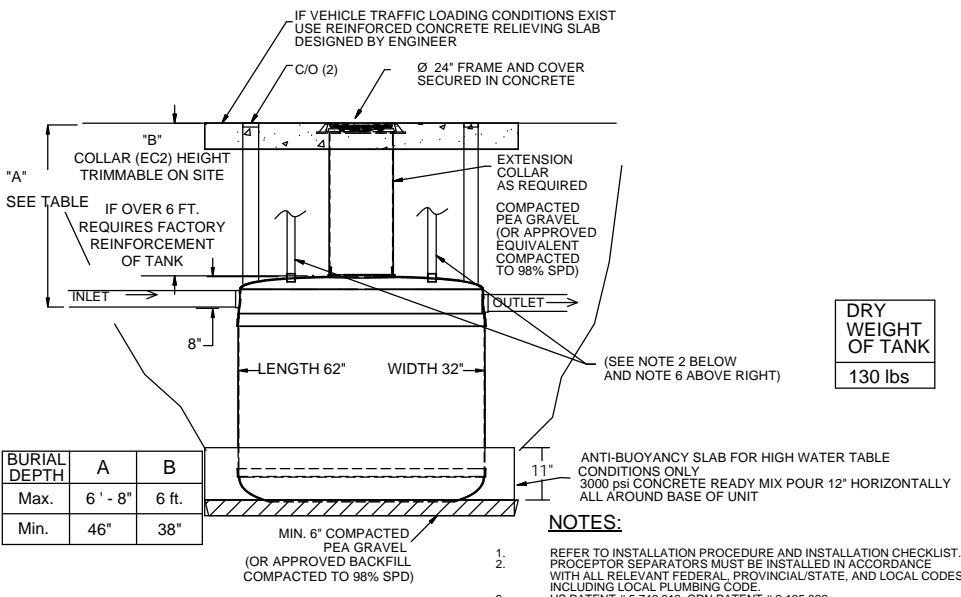


- NOTES:**
- CONCRETE TO BE 28 DAY COMPRESSIVE STRENGTH TO 4000 PSI
 - NO. 4 REBAR (Ø 1/2") GRADE 60 STEEL PER ASTM A615; CONNECTED WITH TIE WIRE
 - REBAR TO BE 2.5" FROM FACE OF CONCRETE
 - REBAR SPACING 12" GRID, 4" SPACING AROUND ACCESS OPENINGS
 - ALL PENETRATIONS TO BE SLEEVED OR HAVE SLIP CONNECTIONS
 - MINIMUM 36" FROM TOP OF SLAB TO TOP OF TANK
 - EXTEND COMPACTED BACKFILL A MINIMUM 3 FT. BEYOND ALL SIDES OF TANK



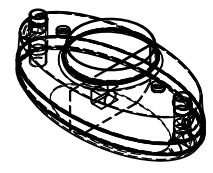
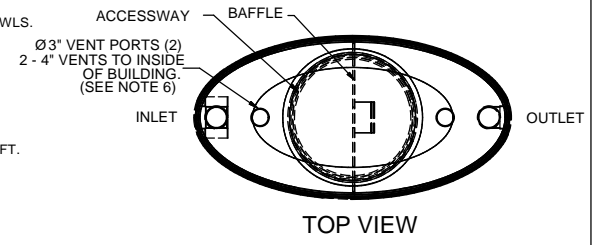
H20 TRAFFIC LOADING SLAB



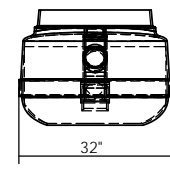
INSTALLATION DETAILS

NOTES:

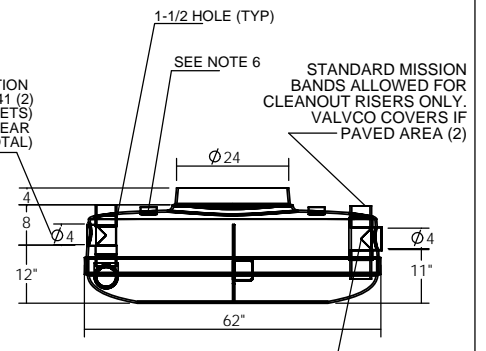
1. FOR GRAVITY APPLICATIONS ONLY.
2. ALL PROCEPTOR UNITS ARE MANUFACTURED WITH FIBERGLASS REINFORCED PLASTICS. PHYSICAL CHARACTERISTICS AND THICKNESS: ISOPHTHALIC POLYESTER RESIN AND E GLASS. MINIMUM THICKNESS OF 1/4" WALL AND 3/8" TOP AND BOTTOM BOWLS. A MINIMUM (EACH) OF 3.5 FT OF COVER AND 1.00% SLOPE IS REQUIRED FOR ALL EXTERIOR 4" OR 6" PIPING. MAXIMUM BURIAL DEPTH = 7 FEET (GRADE TO INVERT OF INLET) FOR DEEPER INSTALLATIONS CALL GREEN TURTLE FOR CUSTOM REINFORCEMENT.
3. ALL PROCEPTOR UNITS ARE TO BE INSTALLED IN ACCORDANCE WITH THE MANUFACTURER'S INSTALLATION INSTRUCTIONS AT LEFT.
4. GMC/OMC 50 -300 UNITS COME STANDARD WITH 4" INLET AND OUTLET (OTHER CUSTOM SIZES AVAILABLE AT EXTRA CHARGE).
5. ALL INTERNAL PIPING IS SCHEDULE 40 PVC. EITHER 4" OR 6" INTERNAL PIPING MAY BE REQUIRED IN FOX METRO'S SERVICE AREA. REFER TO THE APPROVED PLANS FOR SIZING OF THE DOWNSTREAM SEWER SERVICE (4" OR 6"). CONTRACTOR SHALL PROVIDE CONNECTIONS IF APPLICABLE. REFER TO FOX METRO FOR CLEANOUT AND SAMPLE PORT COVER DETAIL.
6. FOR ALL 50-300 GALLON UNITS, IN LIEU OF SEPARATE VENTING, A 1-1/2" HOLE SHALL BE PROVIDED ON EACH INLET/OUTLET BAFFLE, JUST BELOW THE TOP OF THE TANK.
7. EXTENSION COLLAR TO BE ORDERED TO MEET FINISHED GRADE. CUT ON SITE FOR FINAL ADJUSTMENT AND CAULKED WITH SIKAFLEX BY CONTRACTOR FOR REQUIRED WATERTIGHT SEAL.
8. COVERS AVAILABLE FOR H20 TRAFFIC LOADING, PEDESTRIAN LOADING OR ABOVE GROUND INSTALLATION.
9. CONSULT GREEN TURTLE FOR OTHER SIZES.
10. ALL UNITS ARE FACTORY TESTED.
11. 30 YEAR WARRANTY AGAINST LEAKS, AND STRUCTURAL FAILURE.
12. U.S. PATENT # 5,746,912; CDN PATENT # 2,195,822.



ISOMETRIC VIEW



SIDE VIEW



FRONT VIEW

INTERCEPTOR DETAILS

TITLE: PROCEPTOR OIL AND GREASE SEPARATOR DETAIL AND INSTALL COMPILATION GMC 50 FM	REV	DATE	DRAWN
ALL DIMENSIONS IN INCHES	1	JUNE 30, 2016	
PROJECT: FOX METRO	2		
WO:	3		
	4		
	5		
	6		
	7		
	8		
	9		
	10		
DRAWN BY: S. MANGAT			
DRAWN DATE: JUNE 04, 2013			



US 877 428 8187 CAN 877 966 9444
www.greenturtletech.com

SIZE	DWG. NO.	REV.
A	GMC 50 IV FM PACKAGE	1
SCALE:NTS	DO NOT SCALE DRAWING	