

EXISTING
STRUCTURE

EXISTING NON-PVC
SERVICE TO BE REMOVED.

PERMANENT ABANDONMENT

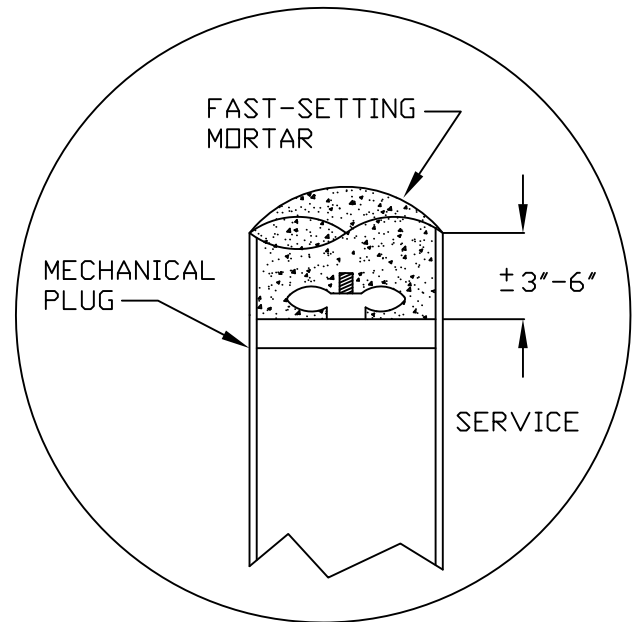
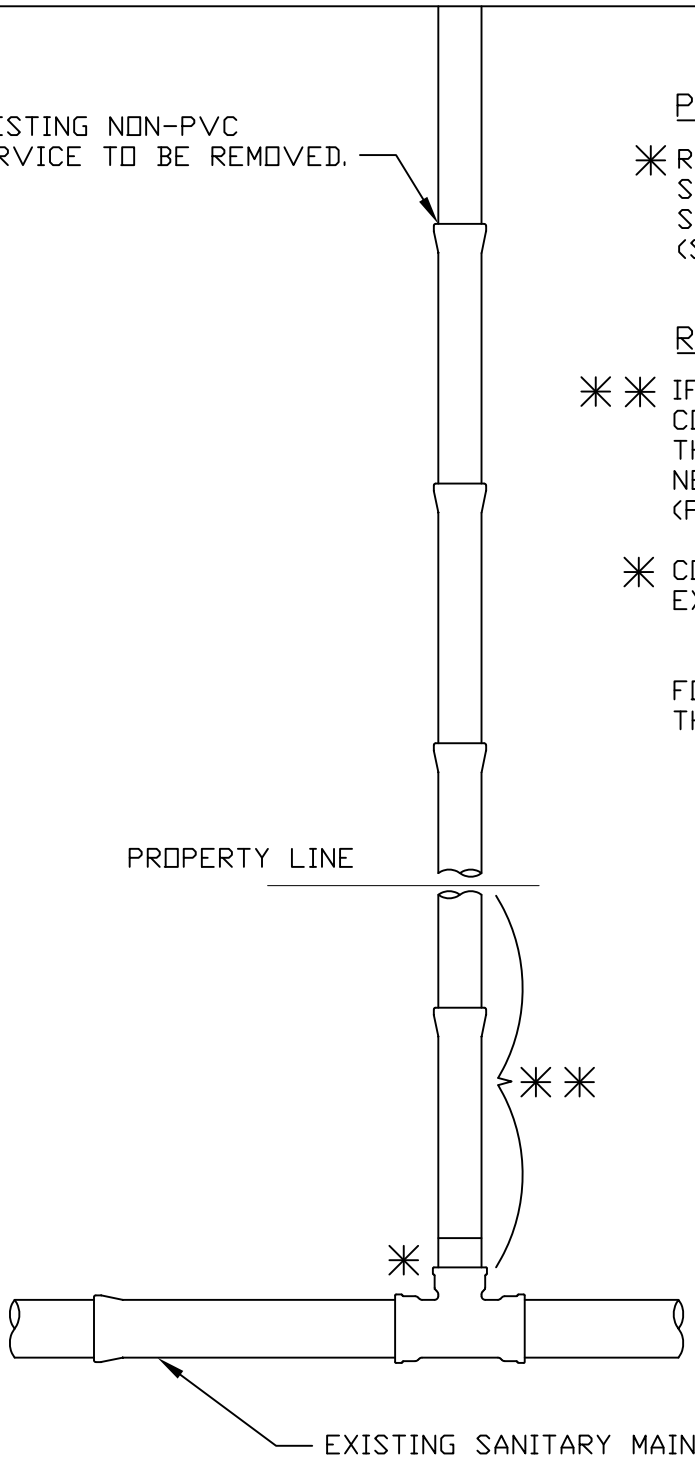
- * REMOVE TO A POINT 1' FROM THE PUBLIC SEWER, MECHANICALLY PLUG, AND THEN SEAL WITH A FAST-SETTING MORTAR. (SEE INSET BELOW)

RE-CONSTRUCTION

- * * IF A NEW HOME/BUILDING WILL BE CONSTRUCTED AT ANY POINT IN THE FUTURE, THE EXISTING SERVICE OR STUB WILL EITHER NEED TO BE REPLACED TO THE MAIN OR LINED (PER DISTRICT SPECIFICATION).
- * CONNECT NEW P.V.C. PIPE TO A 1' LENGTH OF EXISTING PIPE USING A NON-SHEAR COUPLING.

FOR BUILDING RE-BUILDS, DOCUMENTATION FROM THE CITY OR VILLAGE MAY BE REQUIRED.

PROPERTY LINE



SANITARY SEWER SERVICE ABANDONMENT/RECONSTRUCTION

Fox Metro
Water Reclamation District

DESIGNED	FMWRD	REVISION	2017
DRAWN	KZ	A Inset & Note Revision	03/19/07
APPROVED	KZ, MF	B Removed Temporary Abandonment Note	04/29/08
DATE	05-09-06	C Rev. notes to reflect abandon at main	12/14/16
SCALE	NTS	D Documentation note added	02/10/17
SHEET	1	CAD DWG.	REVISION
OF	1	JOB NO.	D