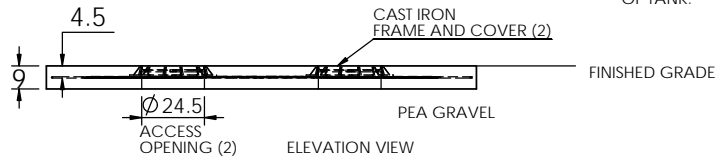


**NOTES:**

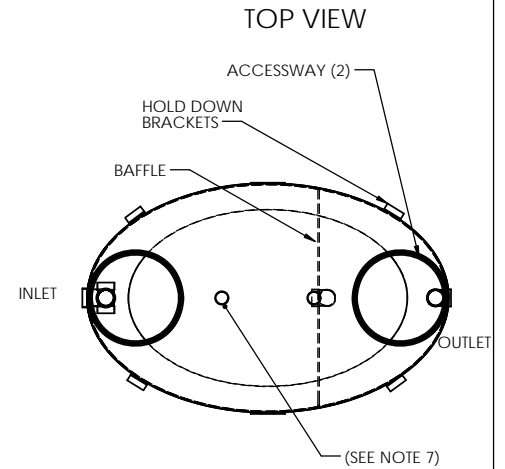
- CONCRETE TO BE 28 DAY COMPRESSIVE STRENGTH TO 4000 PSI.
- NO. 4 REBAR ( $\phi 1/2"$ ) GRADE 60 STEEL PER ASTM A615; CONNECTED WITH TIE WIRE.
- REBAR TO BE 2.5" FROM FACE OF CONCRETE.
- REBAR SPACING 12" GRID, 4" SPACING AROUND ACCESS OPENINGS.
- ALL PENETRATIONS TO BE SLEEVED OR HAVE SLIP CONNECTIONS.
- MINIMUM 36" FROM TOP OF SLAB TO TOP OF TANK.
- EXTEND COMPACTED BACKFILL A MINIMUM 3 FT. BEYOND ALL SIDES OF TANK.



**H2O TRAFFIC LOADING SLAB**

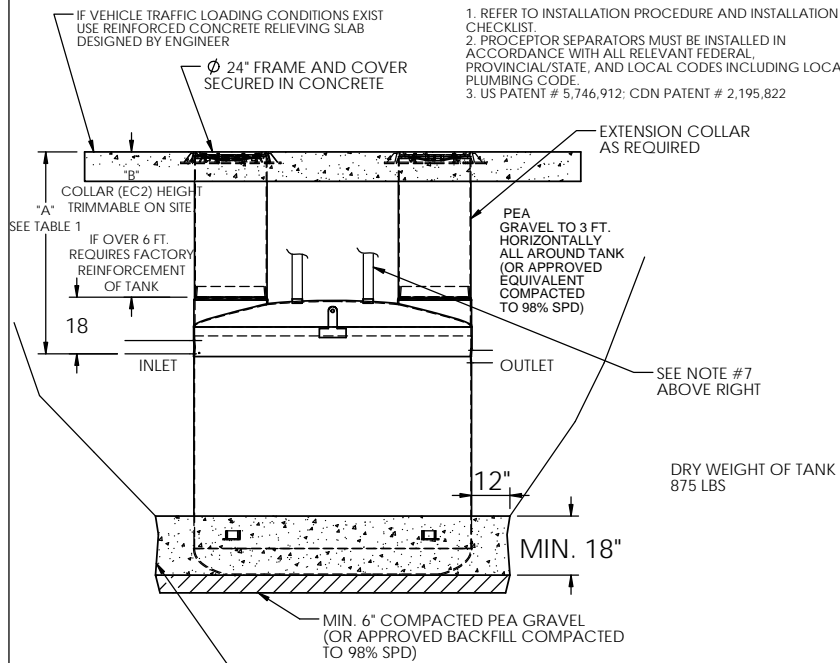
**NOTES:**

1. FOR GRAVITY APPLICATIONS ONLY.
2. ALL PROCEPTOR UNITS ARE MANUFACTURED WITH FIBERGLASS REINFORCED PLASTICS. PHYSICAL CHARACTERISTICS AND THICKNESS: ISOPHTHALIC POLYESTER RESIN AND E GLASS. MINIMUM THICKNESS OF 1/4" WALL AND 3/8" TOP AND BOTTOM BOWLS. MAXIMUM BURIAL DEPTH = 90 INCHES (GRADE TO INVERT OF INLET) FOR DEEPER INSTALLATIONS CALL GREEN TURTLE FOR CUSTOM REINFORCEMENT.
3. A MINIMUM (EACH) OF 3.5 FT OF COVER AND 1.00% SLOPE IS REQUIRED FOR ALL EXTERIOR 4" OR 6" PIPING.
4. ALL PROCEPTOR UNITS ARE TO BE INSTALLED IN ACCORDANCE WITH THE MANUFACTURER'S INSTALLATION INSTRUCTIONS AT LEFT.
5. GMC/OMC 500-1500 UNITS COME STANDARD WITH 4" INLET AND OUTLET (OTHER CUSTOM SIZES AVAILABLE AT EXTRA CHARGE).
6. ALL INTERNAL PIPING IS SCHEDULE 40 PVC. EITHER 4" OR 6" INTERNAL PIPING MAY BE REQUIRED IN FOX METRO'S SERVICE AREA. REFER TO THE APPROVED PLANS FOR SIZING OF THE DOWNSTREAM SEWER SERVICE (4" OR 6").
7. FOR ALL 500, 750, 1000, AND 1500 GALLON UNITS, ONLY DUAL-MANWAY UNITS SHALL BE ALLOWED. IN ADDITION, NO VENTING OF DUAL MANWAY UNITS IS REQUIRED IN FOX METRO'S SERVICE AREA.
8. EXTENSION COLLAR TO BE ORDERED TO MEET FINISHED GRADE, CUT ON SITE FOR FINAL ADJUSTMENT AND CAULKED WITH SIKAFLEX BY CONTRACTOR FOR REQUIRED WATERTIGHT SEAL.
9. COVERS AVAILABLE FOR H2O TRAFFIC LOADING, PEDESTRIAN LOADING OR ABOVE GROUND INSTALLATION.
10. CONSULT GREEN TURTLE FOR OTHER SIZES.
11. ALL UNITS ARE FACTORY TESTED.
12. 30 YEAR WARRANTY AGAINST LEAKS, AND STRUCTURAL FAILURE.
13. U.S. PATENT # 5,746,912; CND PATENT # 2,195,822.



**NOTES:**

1. REFER TO INSTALLATION PROCEDURE AND INSTALLATION CHECKLIST.
2. PROCEPTOR SEPARATORS MUST BE INSTALLED IN ACCORDANCE WITH ALL RELEVANT FEDERAL, PROVINCIAL/STATE, AND LOCAL CODES INCLUDING LOCAL PLUMBING CODE.
3. US PATENT # 5,746,912; CDN PATENT # 2,195,822

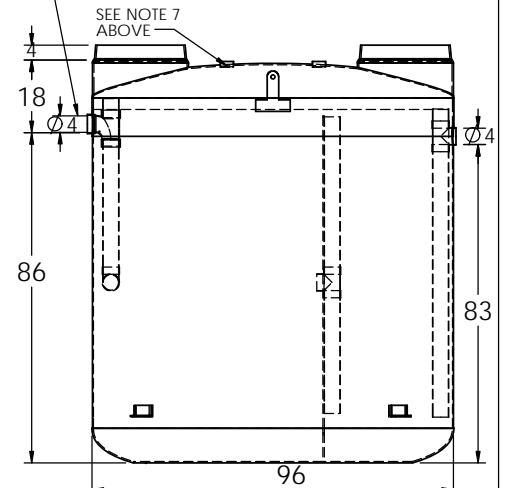
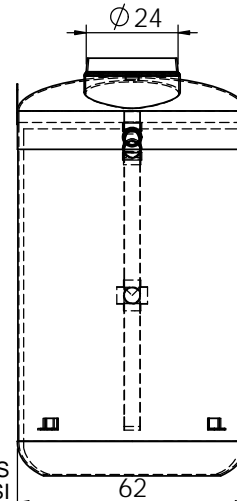
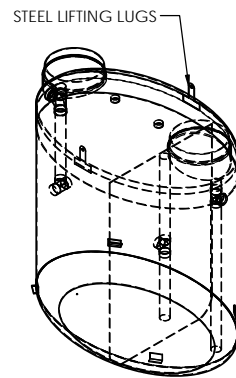


BURIAL DEPTH	A	B
MAX.	90"	72"
MIN.	54"	36"

**INSTALLATION DETAILS**

CONNECT PIPE FROM BUILDING PER APPROVED PLAN PIPE TYPE, TO INLET/OUTLET WITH NON-SHEAR COUPLING (TYP)

**ISOMETRIC VIEW**



FOR UPC/IAPMO INSTALLATIONS APPROVED UNDER IAPMO / ANSI Z1001-2007. MEETS ASTM C-581

**SIDE VIEW INTERCEPTOR DETAILS FRONT VIEW**

TITLE:	REV	DATE	DRAWN
PROCEPTOR OIL AND GREASE SEPARATOR DETAIL AND INSTALL COMPILATION GMC 1500 UPC FM	1	JUNE 16, 2014	S. MANGAT
	2	AUGUST 20, 2014	S. MANGAT
	3		
	4		
	5		
	6		
	7		
	8		
	9		
	10		

ALL DIMENSIONS IN INCHES

PROJECT: WO:  
FOX METRO

AVAILABLE OPTIONS (CHECKED IF REQUESTED)

DRAWN BY: S. MANGAT

DRAWN DATE: MAY 06, 2013

**Proceptor**<sup>®</sup>  
by greenturtle<sup>®</sup>  
US 877 428 8187 CAN 877 966 9444  
www.greenturtletech.com

SIZE	DWG. NO.	REV.
A	GMC 1500 UPC FM PACKAGE	2

SCALE: DO NOT SCALE DRAWING