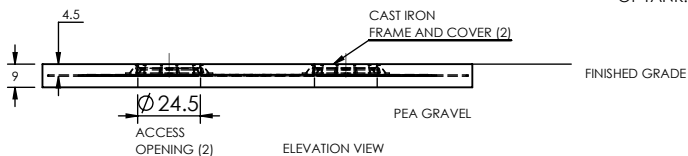


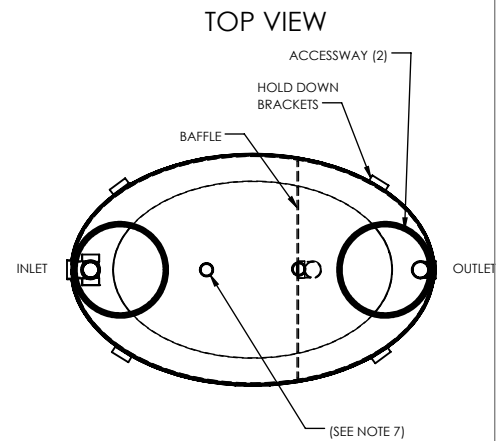
- NOTES:
- CONCRETE TO BE 28 DAY COMPRESSIVE STRENGTH TO 4000 PSI.
 - NO. 4 REBAR ($\phi 1/2"$) GRADE 60 STEEL PER ASTM A615; CONNECTED WITH TIE WIRE.
 - REBAR TO BE 2.5" FROM FACE OF CONCRETE.
 - REBAR SPACING 12" GRID, 4" SPACING AROUND ACCESS OPENINGS.
 - ALL PENETRATIONS TO BE SLEEVED OR HAVE SLIP CONNECTIONS.
 - MINIMUM 3/8" FROM TOP OF SLAB TO TOP OF TANK.
 - EXTEND COMPACTED BACKFILL A MINIMUM 3 FT. BEYOND ALL SIDES OF TANK.



H2O TRAFFIC LOADING SLAB

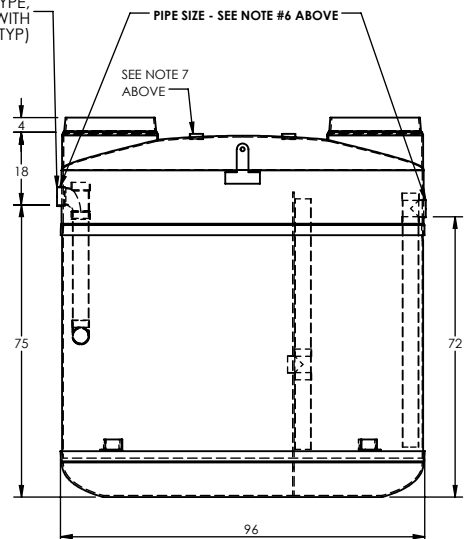
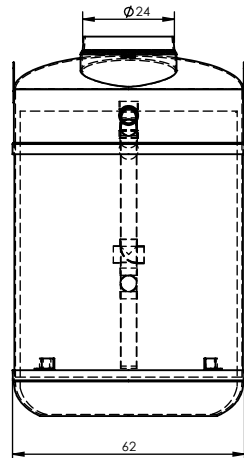
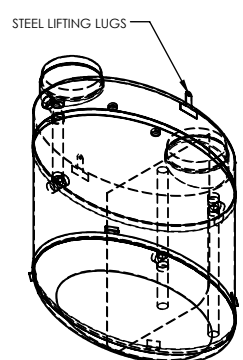
NOTES:

1. FOR GRAVITY APPLICATIONS ONLY.
2. ALL PROCEPTOR UNITS ARE MANUFACTURED WITH FIBERGLASS REINFORCED PLASTICS. PHYSICAL CHARACTERISTICS AND THICKNESS: ISOPHTHALIC POLYESTER RESIN AND E GLASS. MINIMUM THICKNESS OF 1/4" WALL AND 3/8" TOP AND BOTTOM BOWLS. MAXIMUM BURIAL DEPTH = 90 INCHES (GRADE TO INVERT OF INLET) FOR DEEPER INSTALLATIONS CALL GREEN TURTLE FOR CUSTOM REINFORCEMENT.
3. A MINIMUM (EACH) OF 3.5 FT OF COVER AND 1.00% SLOPE IS REQUIRED FOR ALL EXTERIOR 4" OR 6" PIPING.
4. ALL PROCEPTOR UNITS ARE TO BE INSTALLED IN ACCORDANCE WITH THE MANUFACTURER'S INSTALLATION INSTRUCTIONS AT LEFT.
5. GMC/OMC 500-1500 UNITS COME STANDARD WITH 4" INLET AND OUTLET (OTHER CUSTOM SIZES AVAILABLE AT EXTRA CHARGE).
6. **ALL INTERNAL PIPING IS STANDARD 4" SCHEDULE 40 PVC. EITHER 4" OR 6" INTERNAL PIPING MAY BE REQUIRED IN FOX METRO'S SERVICE AREA. REFER TO THE APPROVED PLANS FOR SIZING OF THE DOWNSTREAM SEWER SERVICE (4" OR 6").**
7. FOR ALL 500, 750, 1000, AND 1500 GALLON UNITS, ONLY DUAL-MANWAY UNITS SHALL BE ALLOWED. IN ADDITION, NO VENTING OF DUAL MANWAY UNITS IS REQUIRED IN FOX METRO'S SERVICE AREA.
8. EXTENSION COLLAR TO BE ORDERED TO MEET FINISHED GRADE, CUT ON SITE FOR FINAL ADJUSTMENT AND CAULKED WITH SIKAFLEX BY CONTRACTOR FOR REQUIRED WATERTIGHT SEAL.
9. COVERS AVAILABLE FOR H2O TRAFFIC LOADING, PEDESTRIAN LOADING OR ABOVE GROUND INSTALLATION.
10. CONSULT GREEN TURTLE FOR OTHER SIZES.
11. ALL UNITS ARE FACTORY TESTED.
12. 30 YEAR WARRANTY AGAINST LEAKS, AND STRUCTURAL FAILURE.
13. U.S. PATENT # 5,746,912; CDN PATENT # 2,195,822.



CONNECT PIPE FROM BUILDING PER APPROVED PLAN PIPE TYPE, TO INLET/OUTLET WITH NON-SHEAR COUPLING (TYP)

ISOMETRIC VIEW



FOR UPC/IAPMO INSTALLATIONS APPROVED UNDER IAPMO / ANSI Z1001-2007. MEETS ASTM C-581

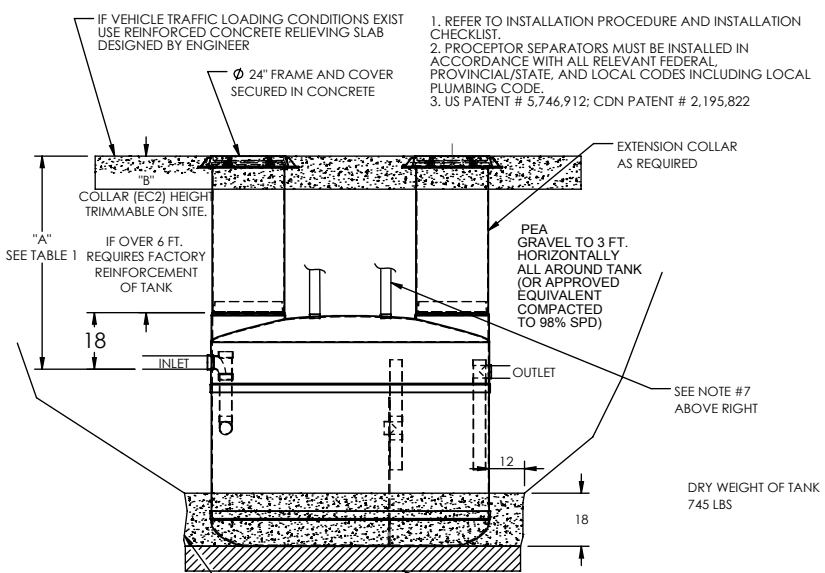
INTERCEPTOR DETAILS

TITLE: PROCEPTOR OIL AND GREASE SEPARATOR		REV	DATE	DRAWN
DETAIL AND INSTALL COMPILATION		2		
GMC 1300 UPC FM PACKAGE		3		
ALL DIMENSIONS IN INCHES		4		
PROJECT: FOX METRO		5		
WO:		6		
AVAILABLE OPTIONS (CHECKED IF REQUESTED)		7		
		8		
		9		
		10		
DRAWN BY:				
DRAWN DATE: MAY 06, 2013				



SIZE	DWG. NO.	REV.
A	19-5145-S	1
SCALE:	DO NOT SCALE DRAWING	

- NOTES:
1. REFER TO INSTALLATION PROCEDURE AND INSTALLATION CHECKLIST.
 2. PROCEPTOR SEPARATORS MUST BE INSTALLED IN ACCORDANCE WITH ALL RELEVANT FEDERAL, PROVINCIAL/STATE, AND LOCAL CODES INCLUDING LOCAL PLUMBING CODE.
 3. US PATENT # 5,746,912; CDN PATENT # 2,195,822



BURIAL DEPTH	A	B
MAX.	90"	72"
MIN.	54"	36"

INSTALLATION DETAILS