

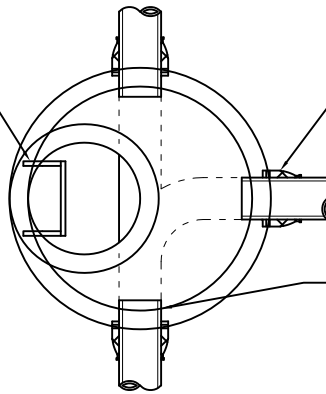
PLASTIC MANHOLE STEPS 1'-4" O.C.
M.A. INDUSTRIES CAT. NO. M.A. PS IPF
OR APPROVED EQUAL.

THE WORDS 'SANITARY' OR THE
APPLICABLE CITY/VILLAGE NAME
SHALL BE CAST IN THE LID.

CAST IRON MANHOLE FRAME AND SOLID LID
WITH CONCEALED PICKHOLE AND WATERTIGHT
GASKET. NEENAH F.D.Y. CO. CAT. #R-1712-B,
EAST JORDAN IRON WORKS CO. CAT. #1051-3
(EXTRA HEAVY DUTY COVER) OR APPROVED
EQUAL IN PAVED AREAS. IN NON-PAVED
AREAS, USE R-1772-B (NEENAH), 1022-1 (MED.
DUTY COVER) (EAST JORDAN). SET FRAME IN
BUTYL ROPE.

8" MAX. (2 RINGS TOTAL) PRECAST CONCRETE OR
EXPANDED POLYPROPYLENE ADJUSTING RINGS SET
IN BUTYL ROPE.

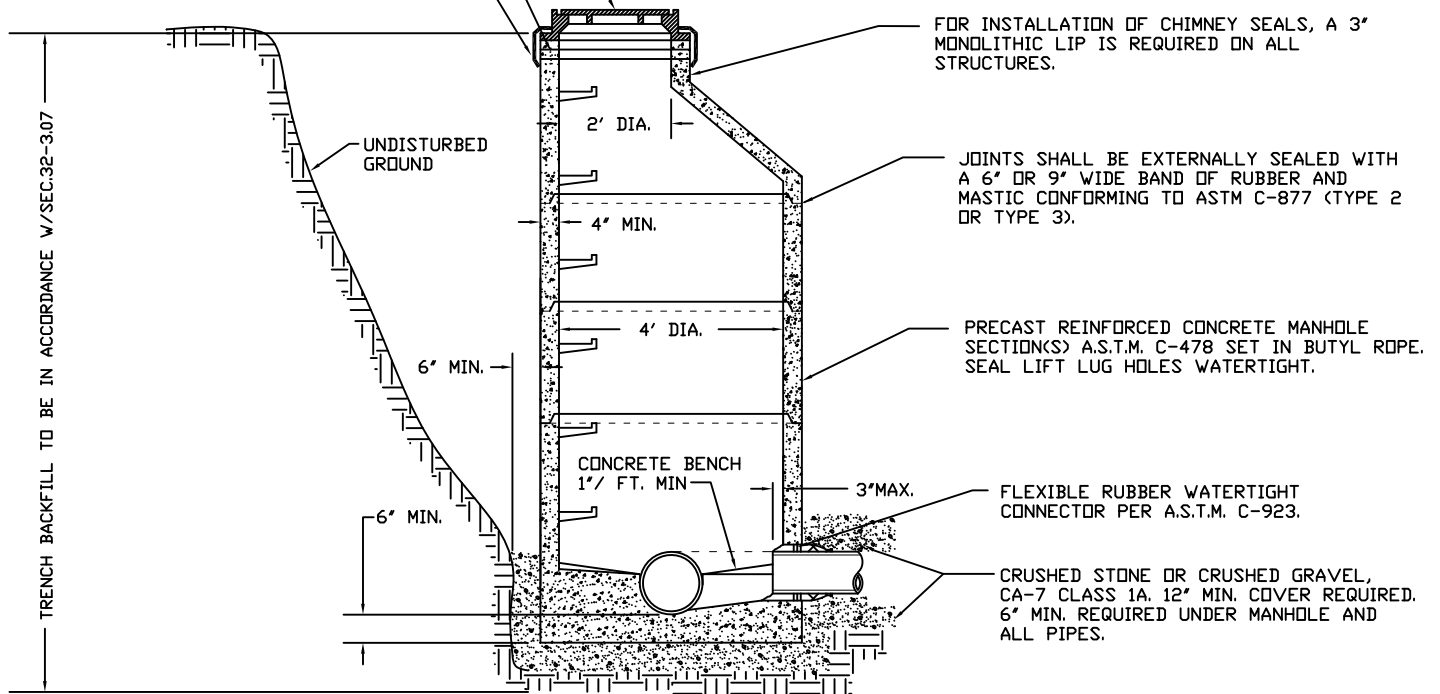
ADAPTOR-SEAL, INFI-SHIELD, CANUSA (WRAPID
SEAL) CHIMNEY SEALS OR APPROVED EQUAL ARE
REQUIRED FOR ALL FRAMES AND ADJUSTING RINGS.



FLEXIBLE WATERTIGHT CONNECTOR PER
A.S.T.M. C-923.

THE SPACE BETWEEN ALL PIPES AND THE
WALL OF THE MANHOLE TO BE COMPLETELY
FILLED WITH NON-SHRINKING GROUT.

ANY MANHOLE, WHICH HAS BEEN DISTURBED IN
ANY WAY, INCLUDING BEING RAISED OR
LOWERED, SHOULD BE CLEANED AND DRIED
BEFORE RE-SEALING. AN APPROVED CHIMNEY
SEAL IS REQUIRED. EACH FULLY EXPOSED
JOINT SHALL BE SEALED WITH A DOUBLE
LAYER OF BUTYL ROPE AND EXTERNALLY
SEALED PER THE NOTE JUST BELOW.



FOR INSTALLATION OF CHIMNEY SEALS, A 3"
MONOLITHIC LIP IS REQUIRED ON ALL
STRUCTURES.

JOINTS SHALL BE EXTERNALLY SEALED WITH
A 6" OR 9" WIDE BAND OF RUBBER AND
MASTIC CONFORMING TO ASTM C-877 (TYPE 2
OR TYPE 3).

PRECAST REINFORCED CONCRETE MANHOLE
SECTION(S) A.S.T.M. C-478 SET IN BUTYL ROPE.
SEAL LIFT LUG HOLES WATERTIGHT.

3" MAX. FLEXIBLE RUBBER WATERTIGHT
CONNECTOR PER A.S.T.M. C-923.

CRUSHED STONE OR CRUSHED GRAVEL,
CA-7 CLASS 1A. 12" MIN. COVER REQUIRED.
6" MIN. REQUIRED UNDER MANHOLE AND
ALL PIPES.

NOTE

WHERE EXISTING SEWERS ARE 14" AND LESS, THE INVERT(S) OF
NEW PIPE(S) SHALL BE DETERMINED BY MATCHING THE PROPOSED
ELEVATION(S) TO THE TOP OF THE DOWNSTREAM PIPE. FOR SEWERS
15" OR GREATER, SEE APPROVED PLANS FOR INVERT INFORMATION.
ALL FLOW CHANNELS SHALL BE PRECAST INTO THE BENCH.

TYPE " A " MANHOLE

Fox Metro
Water Reclamation District

DESIGNED	FMWRD	REVISION	2022
DRAWN	KZ	G "NOTE" Revision-Invert Elev's	05/10/12
APPROVED	KZ, MF	H Misc. Note Revisions	03/09/17
DATE	05-12-00	I "NOTE" Revision-determine inv.	01/26/2021
SCALE	NTS	J Expanded Polypropylene adj. rings	06/27/22
SHEET	1	CAD DWG.	REVISION
OF	1	JOB NO.	