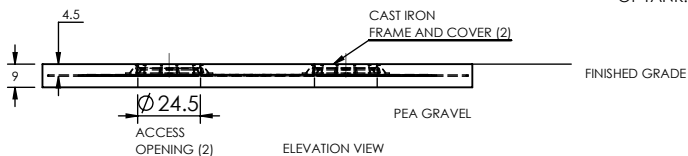


- NOTES:
- CONCRETE TO BE 28 DAY COMPRESSIVE STRENGTH TO 4000 PSI.
 - NO. 4 REBAR ($\phi 1/2"$) GRADE 60 STEEL PER ASTM A615; CONNECTED WITH TIE WIRE.
 - REBAR TO BE 2.5" FROM FACE OF CONCRETE.
 - REBAR SPACING 12" GRID, 4" SPACING AROUND ACCESS OPENINGS.
 - ALL PENETRATIONS TO BE SLEEVED OR HAVE SLIP CONNECTIONS.
 - MINIMUM 3/8" FROM TOP OF SLAB TO TOP OF TANK.
 - EXTEND COMPACTED BACKFILL A MINIMUM 3 FT. BEYOND ALL SIDES OF TANK.



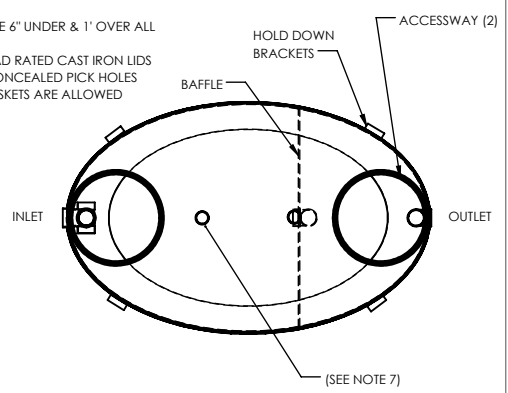
H2O TRAFFIC LOADING SLAB

NOTES:

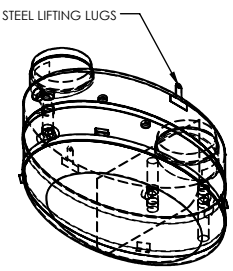
- FOR GRAVITY APPLICATIONS ONLY.
- ALL PROCEPTOR UNITS ARE MANUFACTURED WITH FIBERGLASS REINFORCED PLASTICS. PHYSICAL CHARACTERISTICS AND THICKNESS: ISOPHTHALIC POLYESTER RESIN AND E GLASS. MINIMUM THICKNESS OF 1/4" WALL AND 3/8" TOP AND BOTTOM BOWLS. MAXIMUM BURIAL DEPTH = 90 INCHES (GRADE TO INVERT OF INLET) FOR DEEPER INSTALLATIONS CALL GREEN TURTLE FOR CUSTOM REINFORCEMENT.
- A MINIMUM (EACH) OF 3.5 FT OF COVER AND 1.00% SLOPE IS REQUIRED FOR ALL EXTERIOR 4" OR 6" PIPING.
- ALL PROCEPTOR UNITS ARE TO BE INSTALLED IN ACCORDANCE WITH THE MANUFACTURER'S INSTALLATION INSTRUCTIONS AT LEFT.
- GMC/OMC 500-1500 UNITS COME STANDARD WITH 4" INLET AND OUTLET (OTHER CUSTOM SIZES AVAILABLE AT EXTRA CHARGE).
- ALL INTERNAL PIPING IS STANDARD 4" SCHEDULE 40 PVC. EITHER 4" OR 6" INTERNAL PIPING MAY BE REQUIRED IN FOX METRO'S SERVICE AREA. REFER TO THE APPROVED PLANS FOR SIZING OF THE DOWNSTREAM SEWER SERVICE (4" OR 6").**
- FOR ALL 500, 750, 1000, AND 1500 GALLON UNITS, ONLY DUAL-MANWAY UNITS SHALL BE ALLOWED. IN ADDITION, NO VENTING OF DUAL MANWAY UNITS IS REQUIRED IN FOX METRO'S SERVICE AREA.
- EXTENSION COLLAR TO BE ORDERED TO MEET FINISHED GRADE, CUT ON SITE FOR FINAL ADJUSTMENT AND CAULKED WITH SIKAFLEX BY CONTRACTOR FOR REQUIRED WATERTIGHT SEAL.
- COVERS AVAILABLE FOR H2O TRAFFIC LOADING, PEDESTRIAN LOADING OR ABOVE GROUND INSTALLATION.
- CONSULT GREEN TURTLE FOR OTHER SIZES.
- ALL UNITS ARE FACTORY TESTED.
- LIFETIME WARRANTY AGAINST LEAKS, AND STRUCTURAL FAILURE.

- FOR EXTERIOR INSTALLATIONS, DUAL MANWAY UNITS REQUIRED IN FOX METRO'S SERVICE AREA. NO VENTING IS REQUIRED BY FOX METRO, BUT ZURN RECOMMENDS VENTING.
- 6" UNITS SHALL BE INSTALL WHEN THE PROPOSED DESIGN INDICATES 6" UPSTREAM AND DOWN STREAM. 4" CONNECTIONS ARE ONLY USED WHEN A 4" SEWER EXITS THE BUILDING, PASSES THROUGH THE UNIT, AND THEN REJOINS THE 4" INTERNAL BUILDING DRAIN
- ALL EXTERNAL PIPE CONNECTIONS SHALL BE MADE WITH NON-SHEAR COUPLINGS
- MIN. OF 3.5' OF COVER AND 1% SLOPE FOR ALL EXTERNAL PIPING
- CA-7 CLASS 1 A STONE 6" UNDER & 1" OVER ALL EXTERNAL PIPING
- ONLY H20(MIN.) LOAD RATED CAST IRON LIDS AND FRAMES WITH CONCEALED PICK HOLES AND WATERTIGHT GASKETS ARE ALLOWED

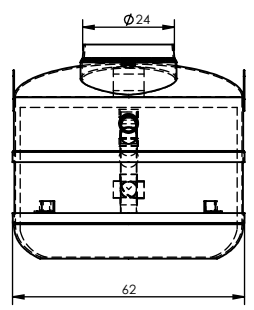
TOP VIEW



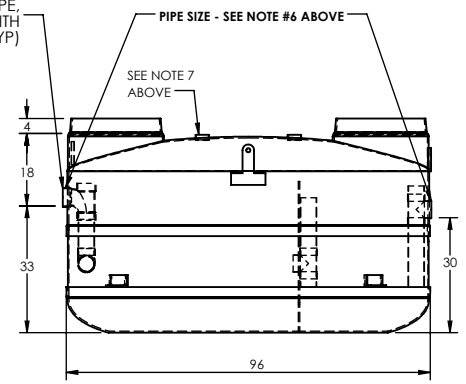
ISOMETRIC VIEW



CONNECT PIPE FROM BUILDING PER APPROVED PLAN PIPE TYPE, TO INLET/OUTLET WITH NON-SHEAR COUPLING (TYP)



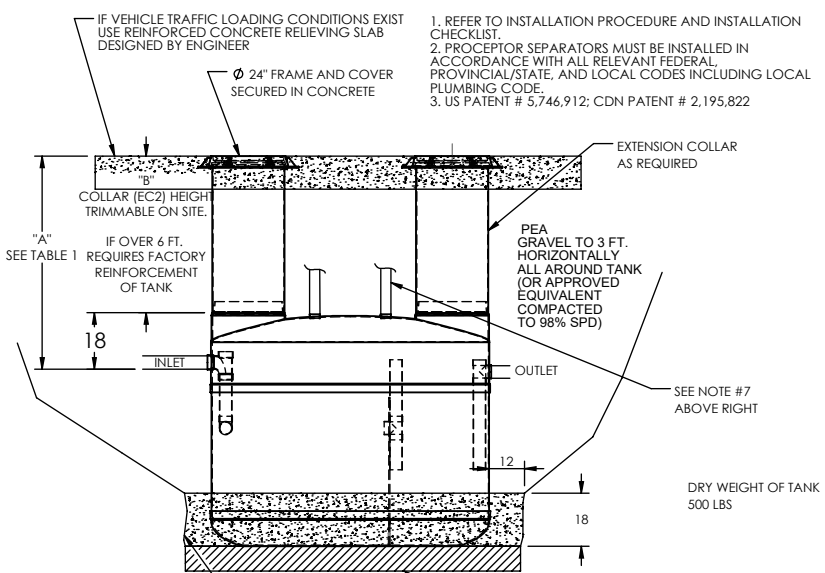
SIDE VIEW



FRONT VIEW

NOTES:

- REFER TO INSTALLATION PROCEDURE AND INSTALLATION CHECKLIST.
- PROCEPTOR SEPARATORS MUST BE INSTALLED IN ACCORDANCE WITH ALL RELEVANT FEDERAL, PROVINCIAL/STATE, AND LOCAL CODES INCLUDING LOCAL PLUMBING CODE.
- US PATENT # 5,746,912; CDN PATENT # 2,195,822



BURIAL DEPTH	A	B
MAX.	90"	72"
MIN.	54"	36"

INSTALLATION DETAILS

FOR UPC/IAPMO INSTALLATIONS APPROVED UNDER IAPMO / ANSI Z1001-2007. MEETS ASTM C-581

TITLE: PROCEPTOR OIL AND GREASE SEPARATOR
DETAIL AND INSTALL COMPILATION
GMC 500 UPC FM PACKAGE

ALL DIMENSIONS IN INCHES

PROJECT: FOX METRO
WO:

AVAILABLE OPTIONS (CHECKED IF REQUESTED)

REV	DATE	DRAWN
2		
3		
4		
5		
6		
7		
8		
9		
10		

INTERCEPTOR DETAILS



DRAWN BY:	SCALE:	SIZE	DWG. NO.	REV.
DRAWN DATE: MAY 06, 2013	DO NOT SCALE DRAWING	A	19-5142-S	2